

TE 541 3D FVZ

for unrebutted residential and heavy-duty doors with recessed frames



Product features

- FVZ = recessed frames
- recessed frames up to 14 mm
- completely concealed hinge system
- for timber, steel or aluminium frames
- for unrebutted heavy-duty doors
- sideways closed hinge body for a homogeneous mortise appearance
- with comfortable 3D adjustment (side +/- 3,0 mm, height +/- 3,0 mm, compression +/- 1,0 mm)
- maintenance-free slide bearings

Technical data

Property	Value
Load capacity	100,0 kg
Overall length	185,0 mm
Width (door part)	28,0 mm
Width (frame part)	28,0 mm
Cutter diameter	24,0 mm
Collar ring diameter	30,0 mm
Opening angle	+ 180°

Quality marks



Certification CE



Certification IFT

ZERTIFIZIERT

warringtonfire

Certification Warringtonfire

certifire

Certification Certifire

Classification code

4 7 5 1¹ 1 -² 0 12

¹ Test evidence for functional doors to be achieved with full door sets and assemblies.

² depending on the finish

TECTUS - TE 541 3D FVZ**Notes**

The load capacity mentioned above refers to the use of 2 hinges per door leaf (1 x 2 m), for detailed information please look at the chapter "technical information".

With an opening position of 180° the door may have to be fixed additionally.

Installation tools

Universal milling frame

Template 5 250682 5 frame, step 3

Template 5 250942 5 frame / door, step 1

Template 5 250943 5 frame / door, step 2

Template 5 250944 5 door, step 3

Combinations

TE 541 3D FVZ FZ

TE 541 3D FVZ SZ

TE 541 3D FVZ ST

Function range

fire resistance



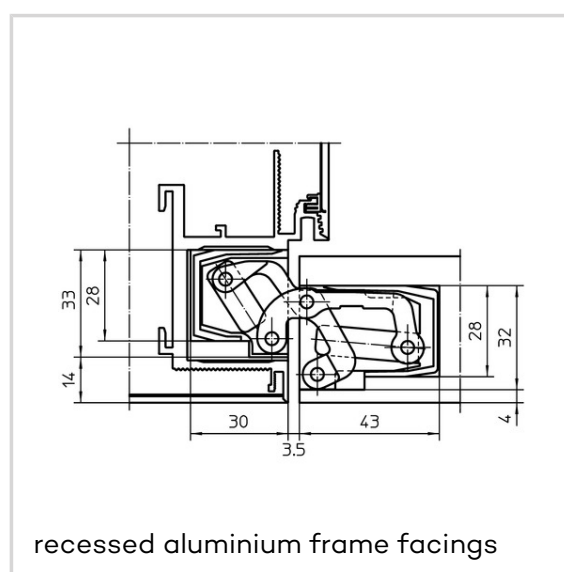
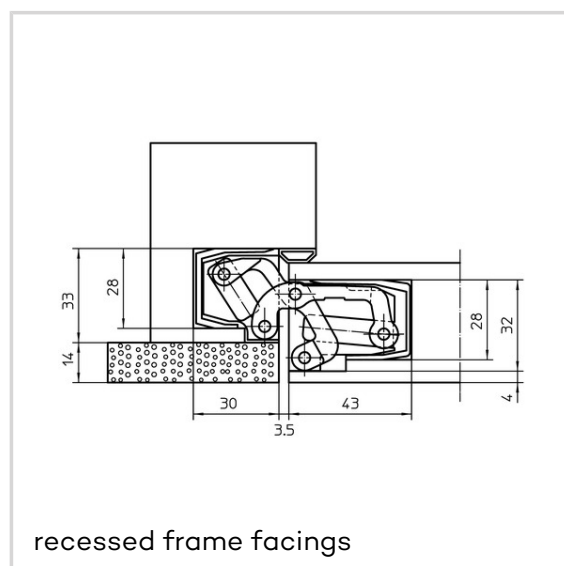
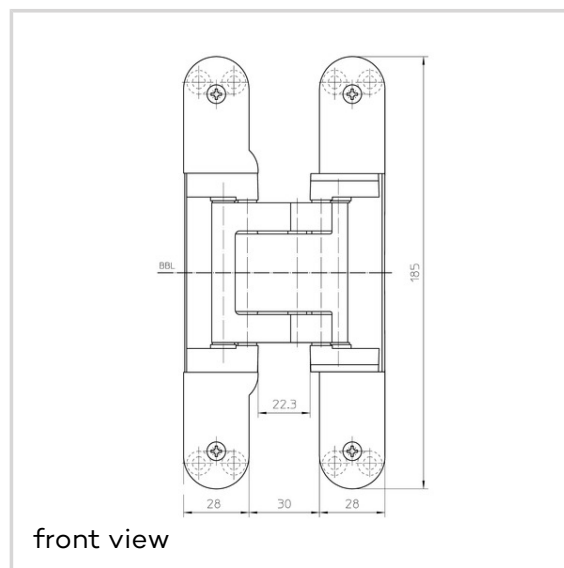
smoke
resistance



soundproof

Item versions

Finish	polished brassed (SW 030)
VPE	pack of 2
DIN	DIN right and left hand
Article number	5 400631 0 03002
EAN	4015471122782



TECTUS - TE 541 3D FVZ

Finish	polished nickelled (SW 038)
VPE	pack of 2
DIN	DIN right and left hand
Article number	5 400631 0 03802
EAN	4015471120047

Finish	satin brassed (SW 047)
VPE	pack of 2
DIN	DIN right and left hand
Article number	5 400631 0 04702
EAN	4015471133658

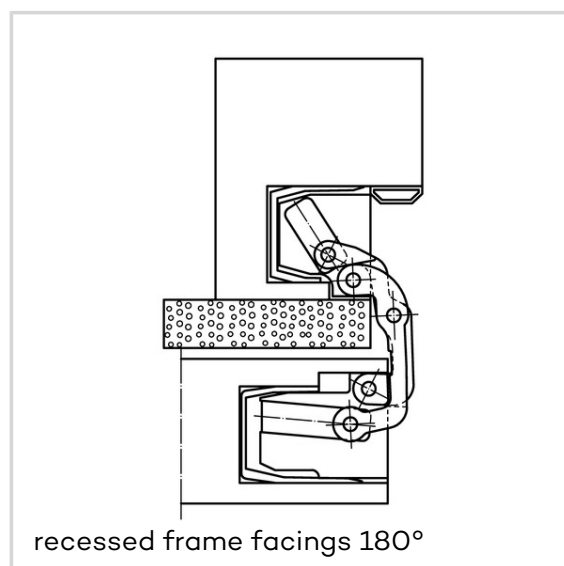
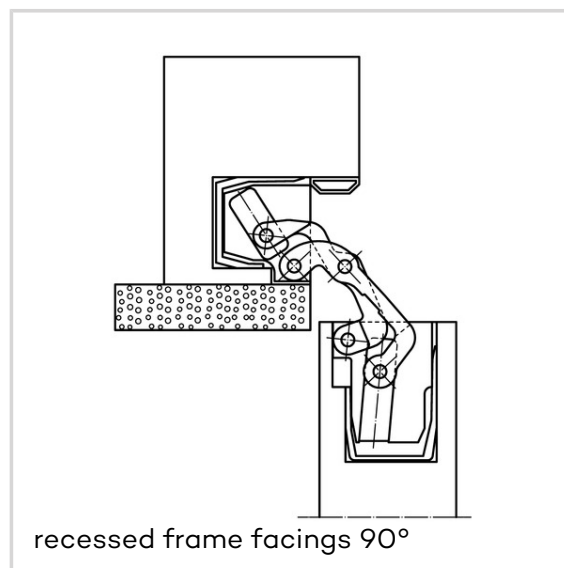
Finish	RAL 9016 Traffic White (SW 070)
VPE	pack of 2
DIN	DIN right and left hand
Article number	5 400631 0 07002
EAN	4015471122799

Finish	RAL 9005 Matte Black (SW 107)
VPE	pack of 2
DIN	DIN right and left hand
Article number	5 400631 0 10702
EAN	4015471122805

Finish	Satin Chrome Look (F1) (SW 124)
VPE	pack of 2
DIN	DIN right and left hand
Article number	5 400631 0 12402
EAN	4015471110130

Finish	Satin Nickel Look (F2) (SW 125)
VPE	pack of 2
DIN	DIN right and left hand
Article number	5 400631 0 12502
EAN	4015471119263

Finish	Stainless Steel Look (SSL) (SW 126)
VPE	pack of 2
DIN	DIN right and left hand



TECTUS - TE 541 3D FVZ

Article number EAN	5 400631 0 12602 4015471110147
Finish VPE DIN Article number EAN	Satin Nickel (SW 144) pack of 2 DIN right and left hand 5 400631 0 14402 4015471122812
Finish VPE DIN Article number EAN	Satin Chrome (SW 146) pack of 2 DIN right and left hand 5 400631 0 14602 4015471122829
Finish VPE DIN Article number EAN	Rustic Umber (SW 156) pack of 2 DIN right and left hand 5 400631 0 15602 4015471119423
Finish VPE DIN Article number EAN	Bronze Metallic (SW 168) pack of 2 DIN right and left hand 5 400631 0 16802 4015471122379
Finish VPE DIN Article number EAN	Bronze Finish (SW 174) pack of 2 DIN right and left hand 5 400631 0 17402 4015471134044
Finish VPE DIN Article number EAN	Bronze Finish light (SW 175) pack of 2 DIN right and left hand 5 400631 0 17502 4015471138158
Finish VPE DIN	Bronze Finish dark (SW 176) pack of 2 DIN right and left hand

TECTUS - TE 541 3D FVZ

Article number	5 400631 0 17602
EAN	4015471131838