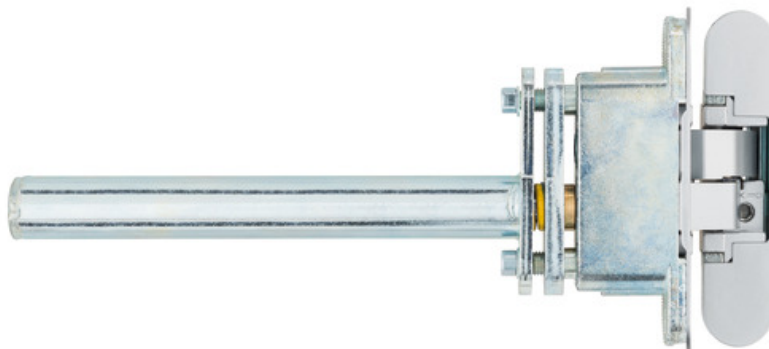


## ANSELMI - AN 108 3D SC45

**AN 108 3D SC45**

with integrated closing and damping function for residential doors up to 45 kg

**Product features**

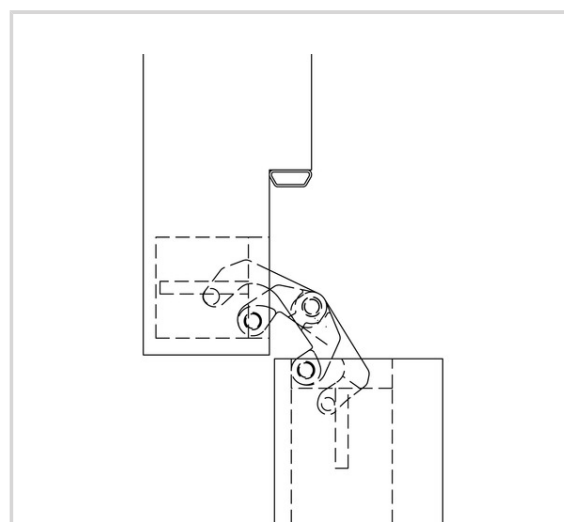
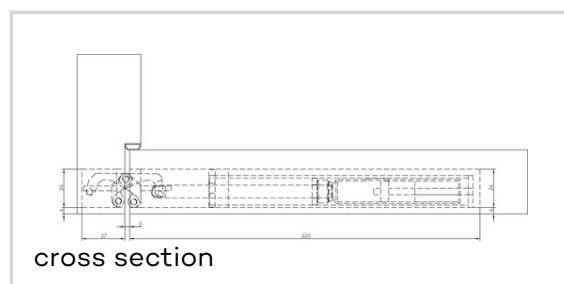
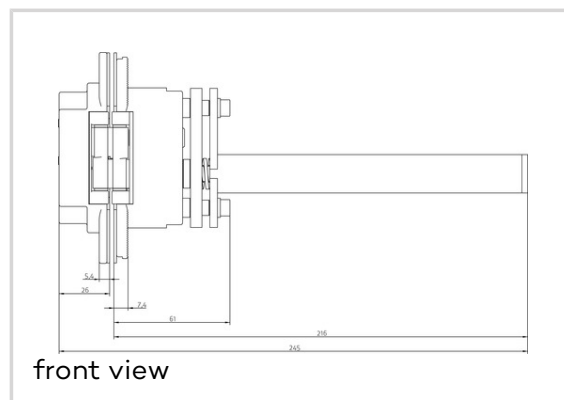
- self-closing hinge system with integrated damping function
- closing power up to 45 kg
- completely concealed hinge system
- for timber and aluminium frames
- for unrebated residential doors
- adjustable closing power when door is installed
- material zamak

**Technical data**

Property	Value
Overall length	110,0 mm
Width (door part)	24,0 mm
Width (frame part)	24,0 mm
Cutter diameter	16,0 mm
Collar ring diameter	27,0 mm
Opening angle	180°

**Notes**

The closing power mentioned above refers to the use of one self-closing hinge per door leaf (900 x 2100)



**ANSELMI - AN 108 3D SC45**

mm).

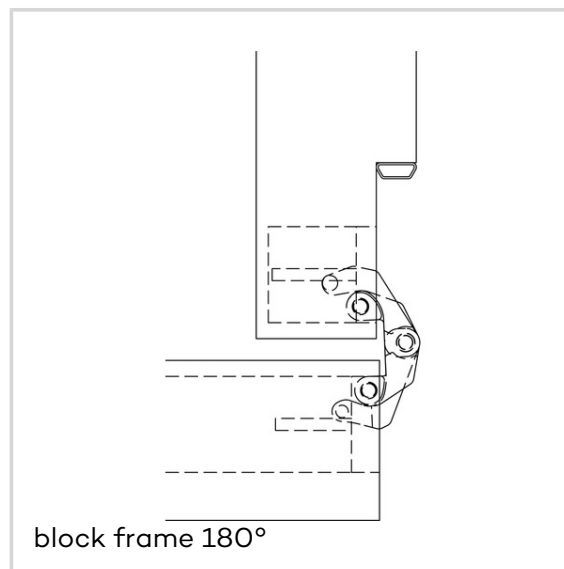
Finishes shown on the model version AN 160 3D.  
Deviations possible with this model version.

The self-closing hinge has to be used only in combination with the given hinges and has to be installed at half the height of the door leaf, approximately at the same height of the lock (magnetic lock recommended).

The installation on doors subject to specific norms has to be verified by the customer according to the national law.

Alternatively, the routing can be carried out with a cutter diameter of 14,0 mm and a collar ring diameter of 25,0 mm.

block frame 90°

**Combinations**

AN 140 3D  
AN 160 3D  
AN 140 3D FZ

**Item versions**

Finish	Satin Chrome (AN 014)
VPE	pack of 1
DIN	DIN right and left hand
ITEM NO.	AN 108 3D SC45 (AN 014)
EAN	8054608700277
Finish	Black (AN 018)
VPE	pack of 1
DIN	DIN right and left hand
ITEM NO.	AN 108 3D SC45 (AN 018)
EAN	8054608700284
Finish	Antique Bronze (AN 035)
VPE	pack of 1
DIN	DIN right and left hand

**ANSELMI - AN 108 3D SC45**

ITEM NO.	AN 108 3D SC45 (AN 035)
EAN	8054608700239
Finish	Aluminium Chrome (AN 036)
VPE	pack of 1
DIN	DIN right and left hand
ITEM NO.	AN 108 3D SC45 (AN 036)
EAN	8054608700192
Finish	Polished Brass (AN 037)
VPE	pack of 1
DIN	DIN right and left hand
ITEM NO.	AN 108 3D SC45 (AN 037)
EAN	8054608700208
Finish	Polished Chrome (AN 039)
VPE	pack of 1
DIN	DIN right and left hand
ITEM NO.	AN 108 3D SC45 (AN 039)
EAN	8054608700246
Finish	Satin Nickel (AN 044)
VPE	pack of 1
DIN	DIN right and left hand
ITEM NO.	AN 108 3D SC45 (AN 044)
EAN	8054608700215
Finish	RAL 9016 Traffic White (AN 049)
VPE	pack of 1
DIN	DIN right and left hand
ITEM NO.	AN 108 3D SC45 (AN 049)
EAN	8054608700222