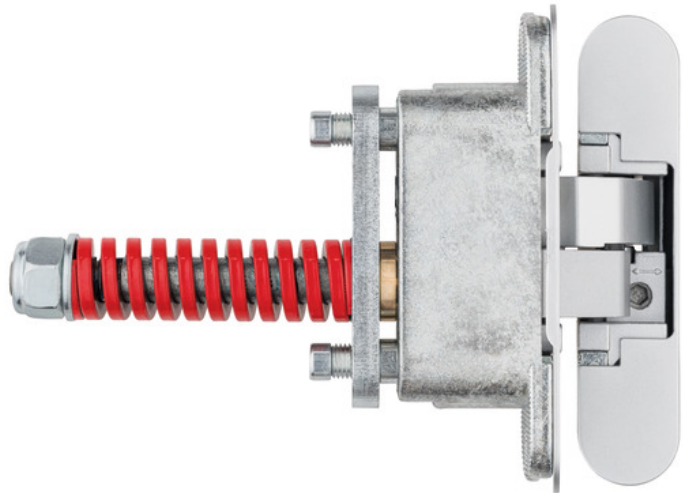


## ANSELMINI - AN 107 3D C60

**AN 107 3D C60**

with integrated closing function for residential doors up to 60 kg

**Product features**

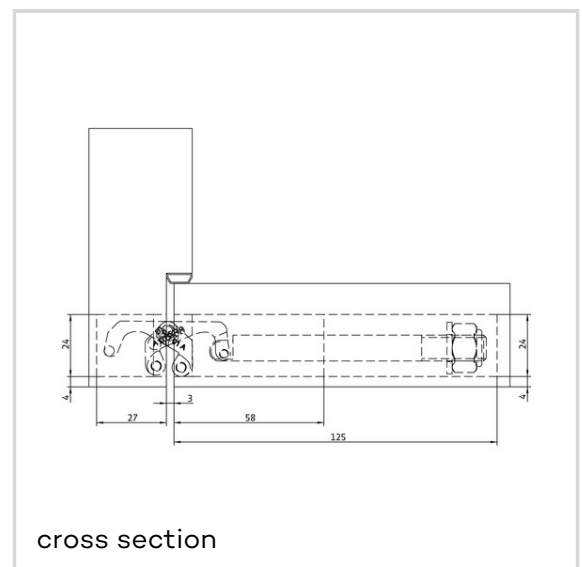
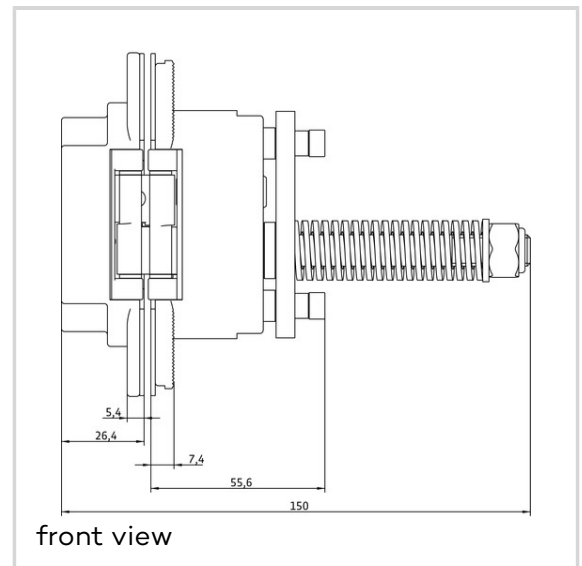
- self-closing hinge system
- closing power from 40 kg up to 60 kg
- completely concealed hinge system
- for timber and aluminium frames
- for unrebated residential doors
- adjustable closing power when door is installed
- material zamak / steel

**Technical data**

Property	Value
Overall length	110,0 mm
Width (door part)	24,0 mm
Width (frame part)	24,0 mm
Cutter diameter	16,0 mm
Collar ring diameter	27,0 mm
Opening angle	180°

**Notes**

The closing power mentioned above refers to the use



**ANSELMI - AN 107 3D C60**

of one self-closing hinge per door leaf (900 x 2100 mm).

Finishes shown on the model version AN 160 3D.  
Deviations possible with this model version.

The self-closing hinge has to be used only in combination with the given hinges and has to be installed at half the height of the door leaf, approximately at the same height of the lock (magnetic lock recommended).

The installation on doors subject to specific norms has to be verified by the customer according to the national law.

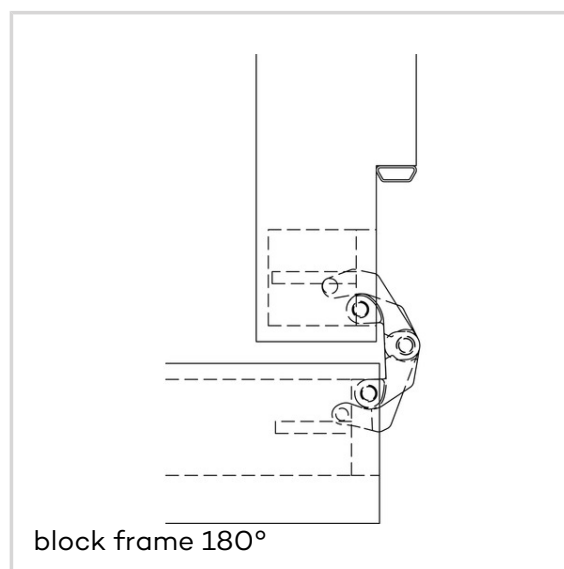
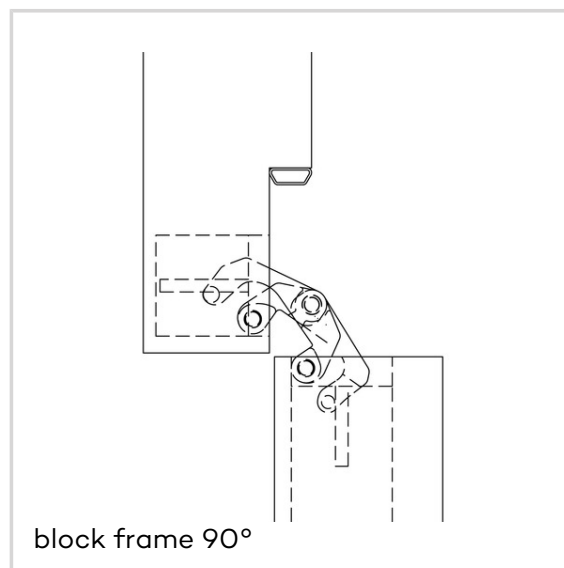
Alternatively, the routing can be carried out with a cutter diameter of 14,0 mm and a collar ring diameter of 25,0 mm.

**Combinations**

AN 160 3D  
AN 180 3D  
AN 140 3D FZ

**Item versions**

Finish	Satin Chrome (AN 014)
VPE	pack of 1
DIN	DIN right and left hand
ITEM NO.	AN 107 3D C60 (AN 014)
EAN	8054608700093
Finish	Black (AN 018)
VPE	pack of 1
DIN	DIN right and left hand
ITEM NO.	AN 107 3D C60 (AN 018)
EAN	8054608700116
Finish	Antique Bronze (AN 035)
VPE	pack of 1



## ANSELM I - AN 107 3D C60

DIN ITEM NO.	DIN right and left hand AN 107 3D C60 (AN 035)
EAN	8054608700147
Finish	Aluminium Chrome (AN 036)
VPE	pack of 1
DIN ITEM NO.	DIN right and left hand AN 107 3D C60 (AN 036)
EAN	8054608700154
Finish	Polished Brass (AN 037)
VPE	pack of 1
DIN ITEM NO.	DIN right and left hand AN 107 3D C60 (AN 037)
EAN	8054608700161
Finish	Polished Chrome (AN 039)
VPE	pack of 1
DIN ITEM NO.	DIN right and left hand AN 107 3D C60 (AN 039)
EAN	8054608700178
Finish	Satin Nickel (AN 044)
VPE	pack of 1
DIN ITEM NO.	DIN right and left hand AN 107 3D C60 (AN 044)
EAN	8054608700123
Finish	RAL 9016 Traffic White (AN 049)
VPE	pack of 1
DIN ITEM NO.	DIN right and left hand AN 107 3D C60 (AN 049)
EAN	8054608700130