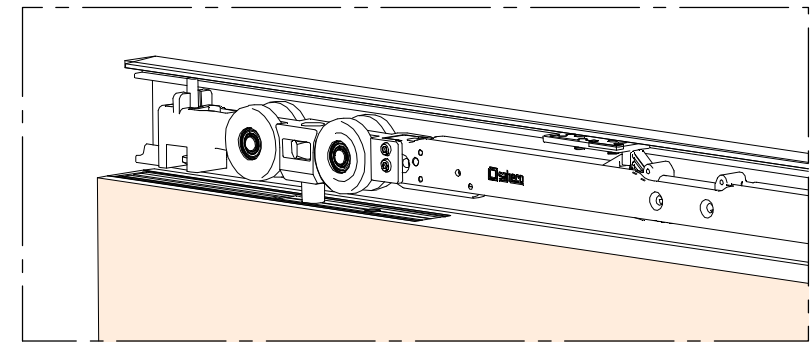




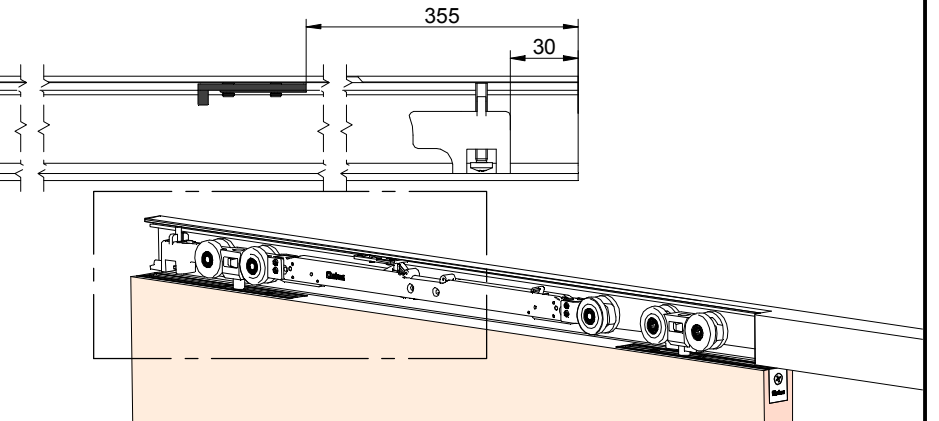
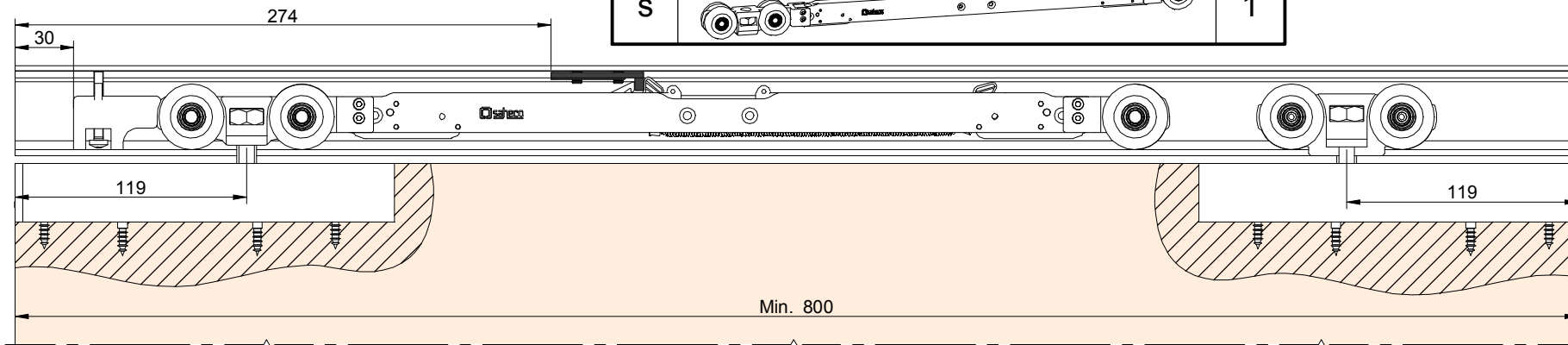
CODE: 0 140 05

| | | | | | |
|---|---------------------|---|---|---------------------|---|
| a | | 2 | h | | 2 |
| b | | 1 | j | DIN 7505 B 5x30 | 4 |
| c | DIN 7505 A 4x20 | 4 | k | DIN 7505 A 5x30 | 4 |
| d | | 1 | n | | 1 |
| p | | 2 | s | | 2 |

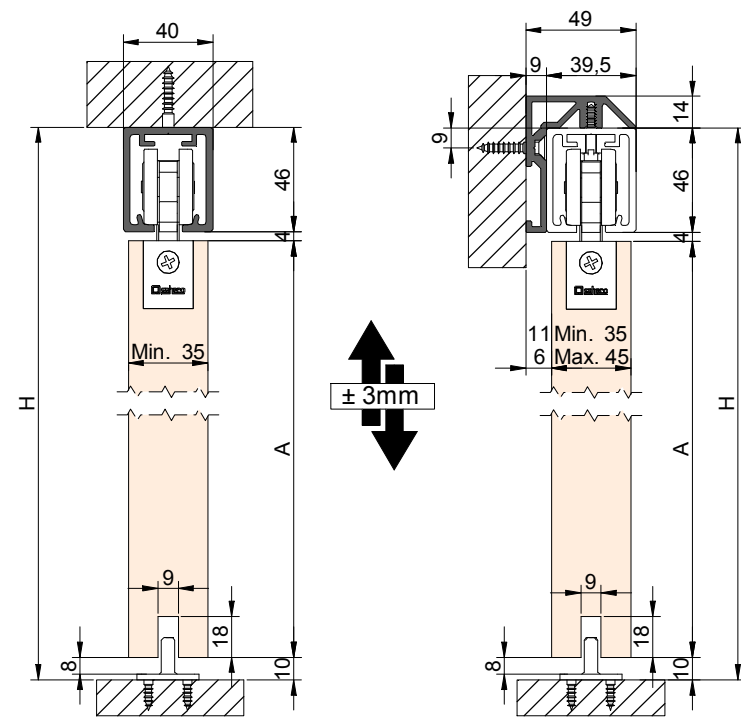
| | | |
|---|--|---|
| s | | 1 |
|---|--|---|



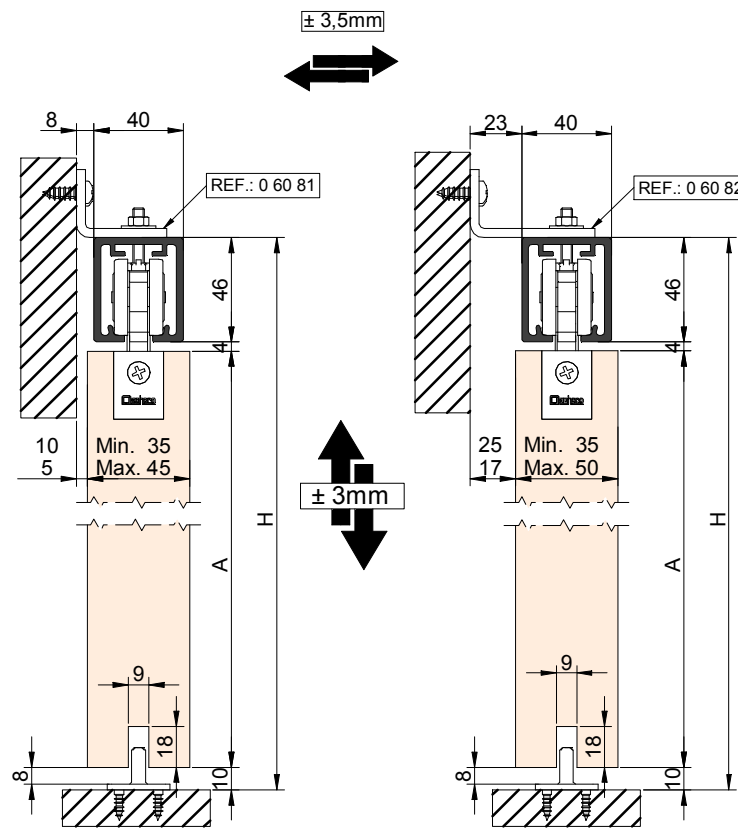
FUERZA ABRIR - Force Open = 9N (0,9Kg)
FUERZA CERRAR - Force Close = 7N (0,7Kg)



PERFIL STAR / Profile Star



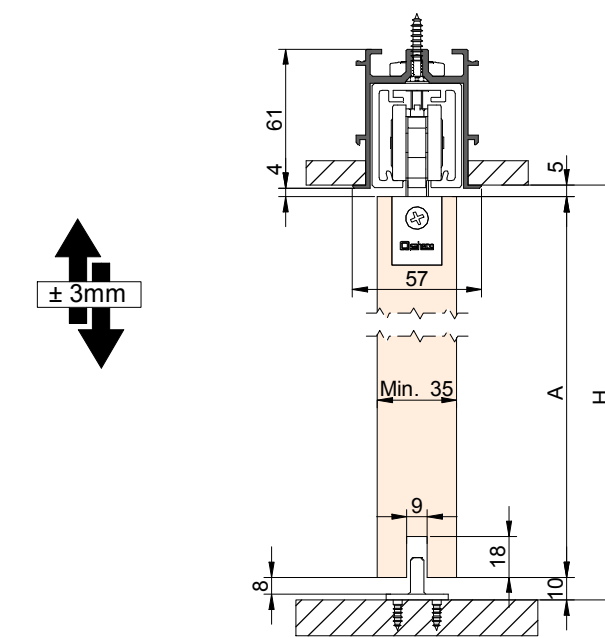
A= H-60



A= H-60

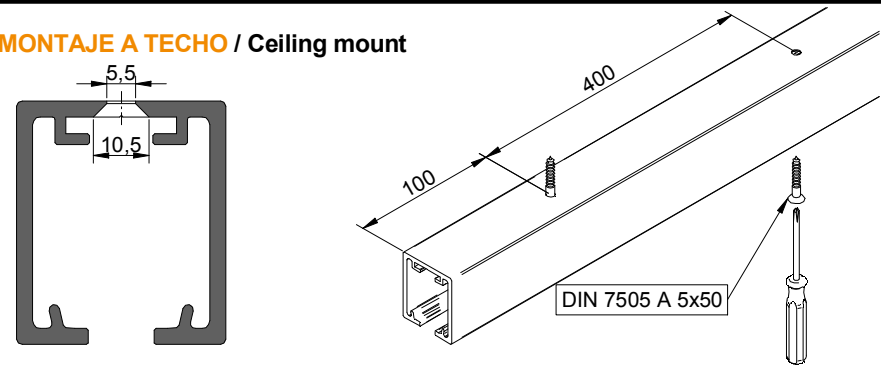
PERFIL FUNDA / cover profile

FALSO TECHO / plasterboard

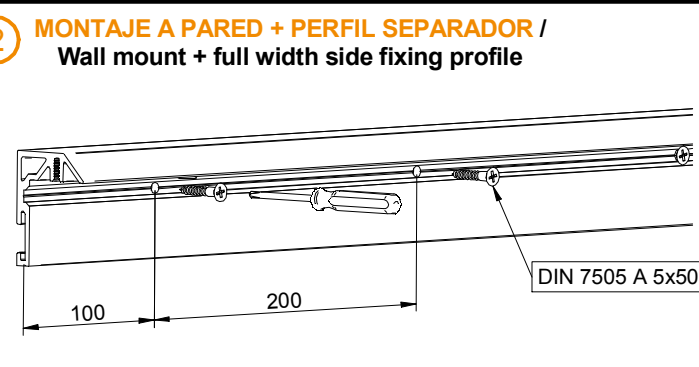


A= H-15

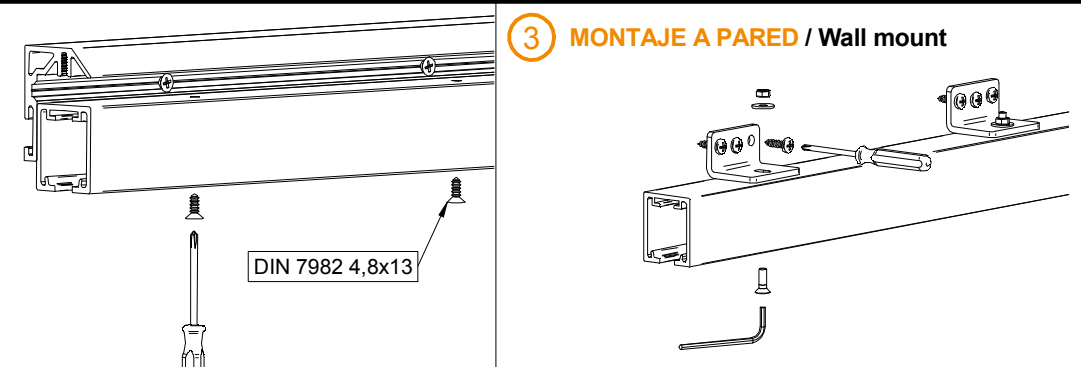
1 MONTAJE A TECHO / Ceiling mount



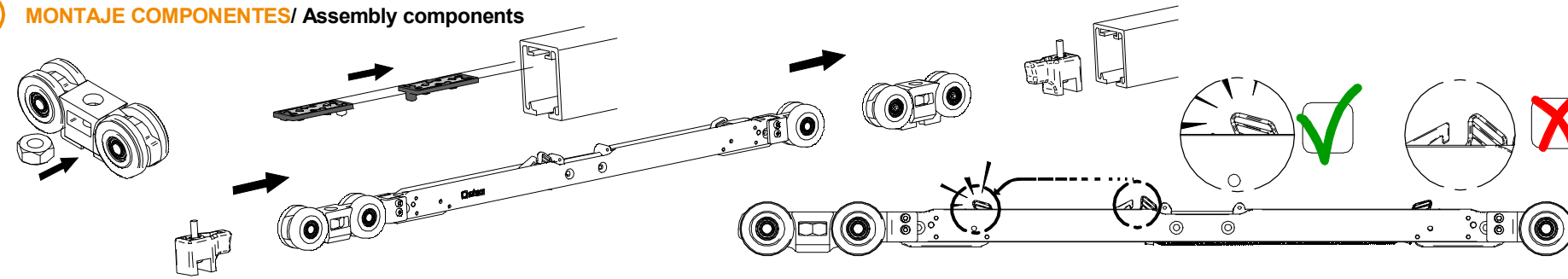
2 MONTAJE A PARED + PERFIL SEPARADOR / Wall mount + full width side fixing profile



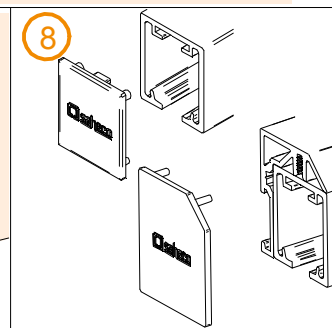
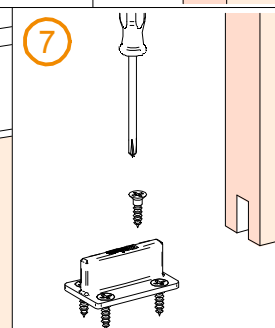
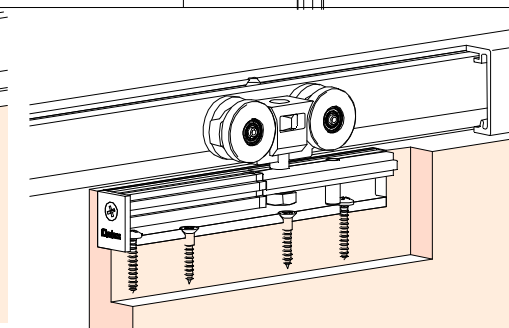
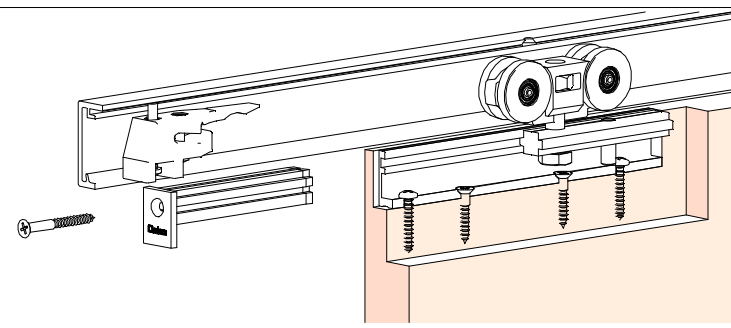
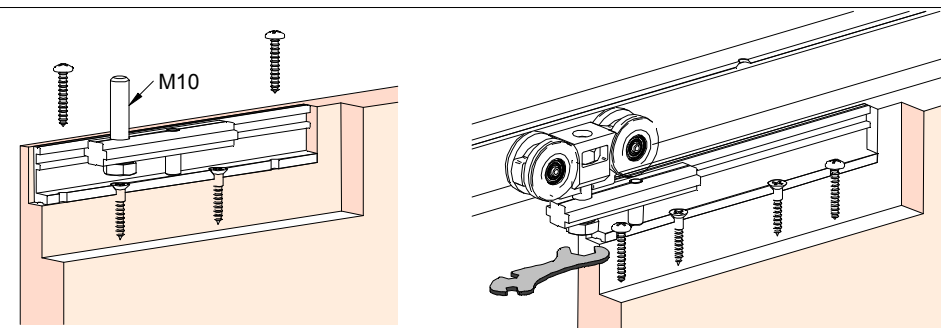
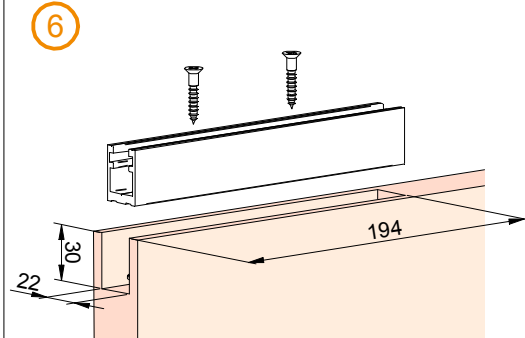
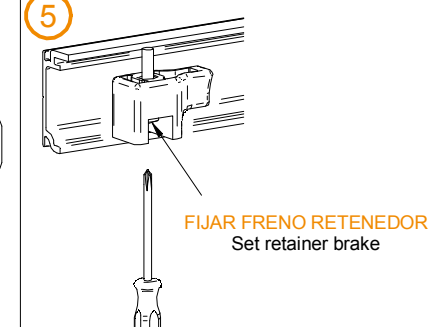
3 MONTAJE A PARED / Wall mount



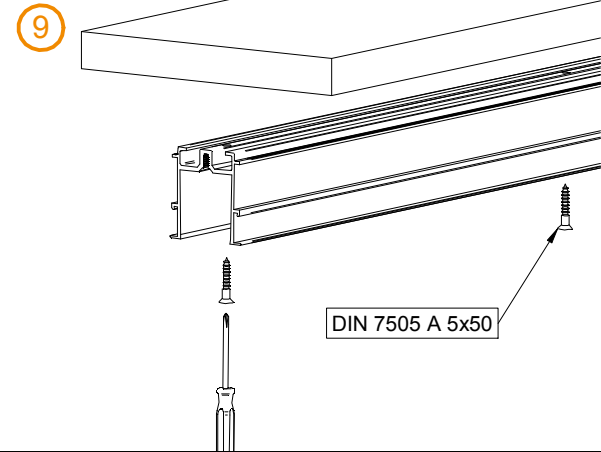
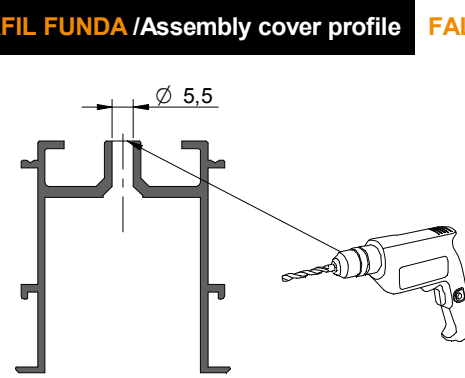
4 MONTAJE COMPONENTES / Assembly components



5 FIJAR FRENO RETENEDOR / Set retainer brake



MONTAJE PERFIL FUNDA / Assembly cover profile FALSO TECHO / plasterboard



10 PERFIL STAR / Profile Star

