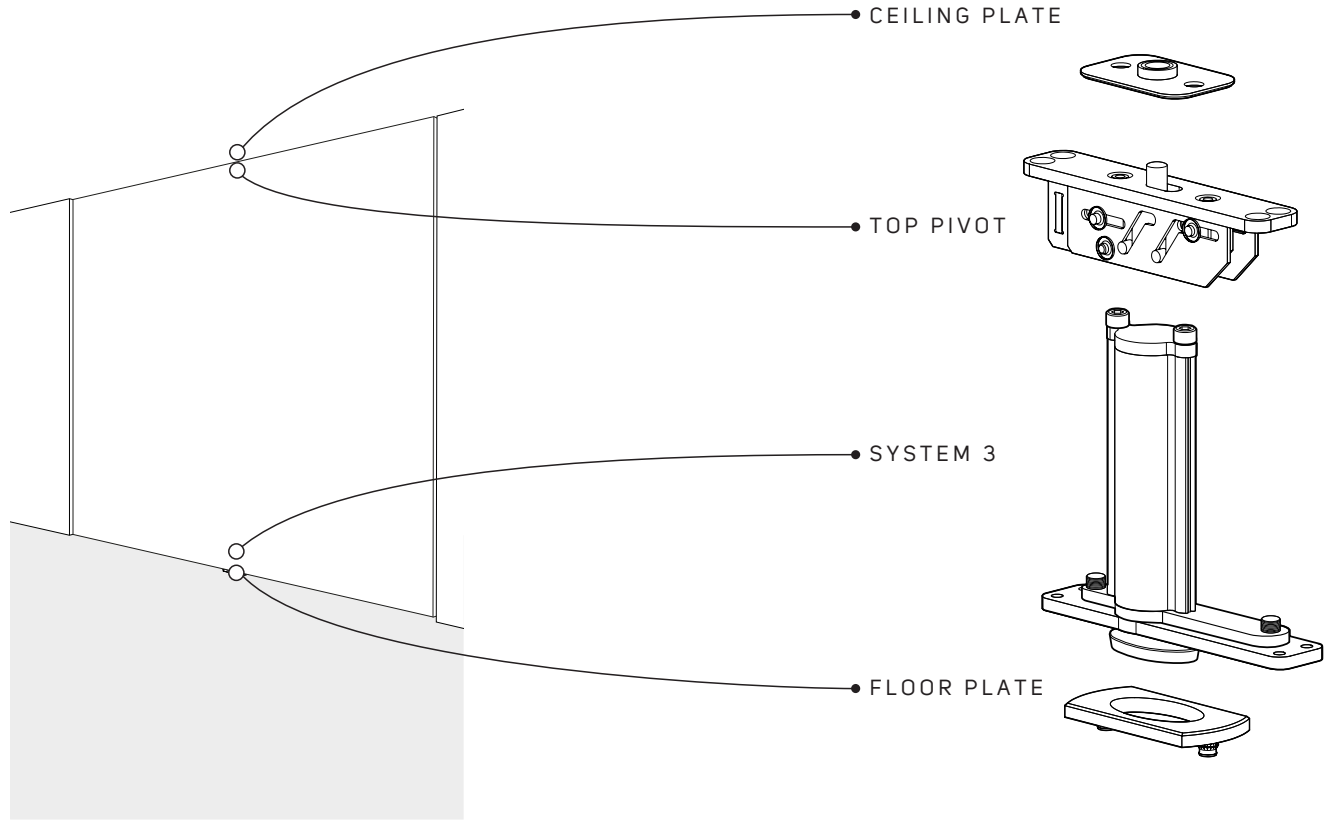
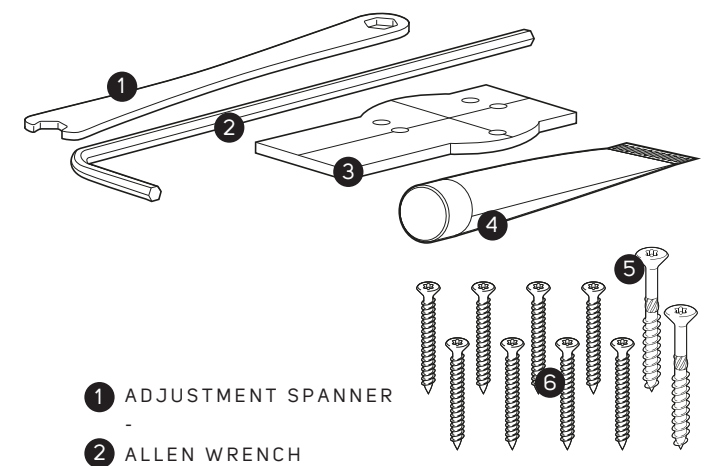


MILLING MANUAL

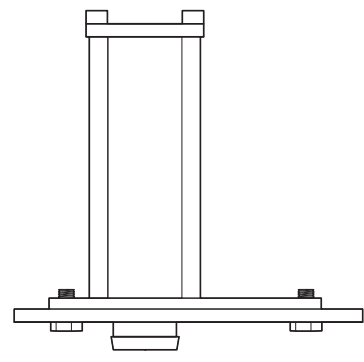
FritsJurgens®
SYSTEM 3



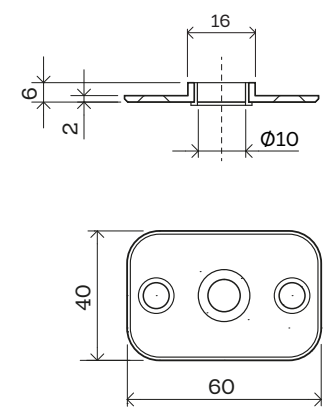
TOOLS INCLUDED



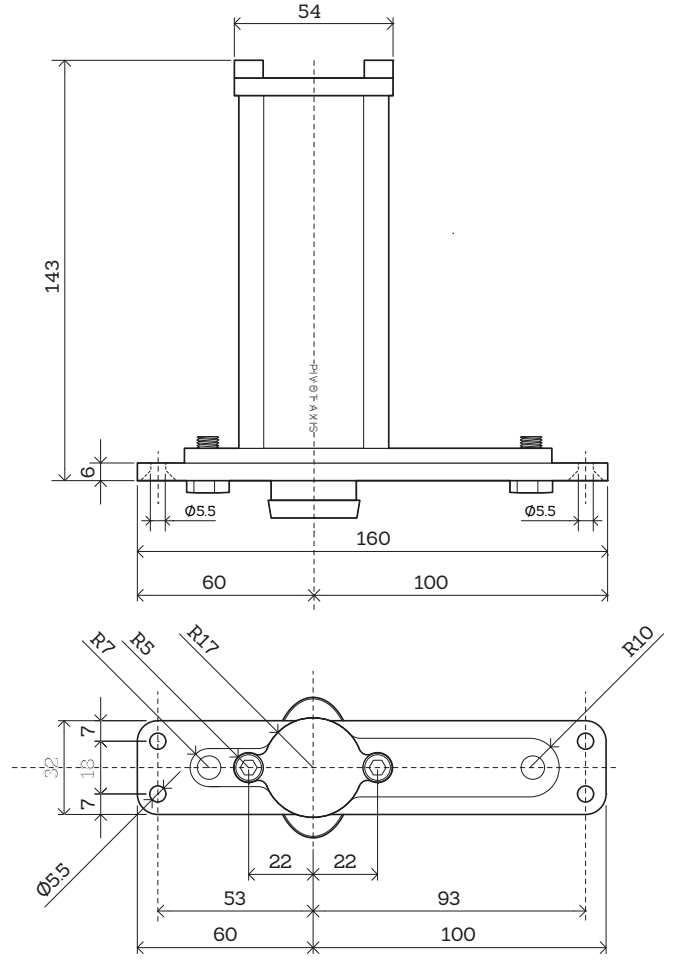
- 1 ADJUSTMENT SPANNER
-
- 2 ALLEN WRENCH
-
- 3 FITTING TEMPLATE
-
- FITTING ADHESIVE
-
- SCREW (6X 60) 2x
-
- SCREW (4X50) 8x



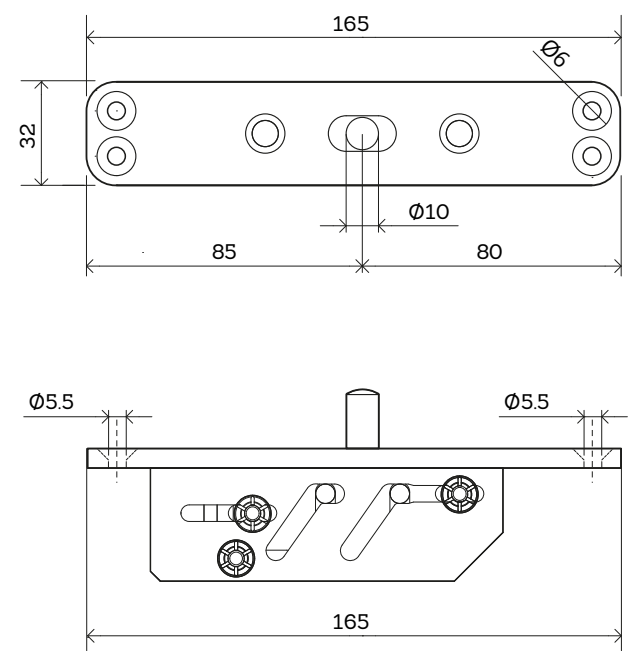
CEILING PLATE



SYSTEM 3



TOP PIVOT



FLOOR PLATE

