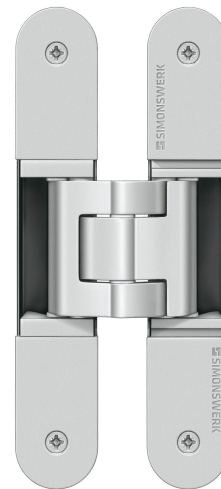


TE 340 3D

for unrebated residential and heavy-duty doors



Product features

- completely concealed hinge system
- for timber, steel or aluminium frames
- for unrebated residential and heavy-duty doors
- sideways closed hinge body for a homogeneous mortise appearance
- with comfortable 3D adjustment (side +/- 3,0 mm, height +/- 3,0 mm, compression +/- 1,0 mm)
- maintenance-free slide bearings

Technical details

Attributes	Value
Load capacity	80,0 kg
Overall length	160,0 mm
Width (door part)	28,0 mm
Width (frame part)	28,0 mm
Cutter diameter	24,0 mm
Opening angle	180°

Note

The load capacity mentioned above refers to the use of 2 hinges

Quality marks



Certification CE



Certification IFT



Certification UL

warringtonfire

Warringtonfire

Classification key

3	7	4	1 ^{*1}	1	— ^{*2}	0	11
---	---	---	-----------------	---	-----------------	---	----

^{*1} Test evidence for functional doors to be achieved with full door sets and assemblies.

^{*2} depending on the finish

TECTUS - TE 340 3D

per door leaf (1 x 2 m), for detailed information please look at the chapter "technical information".

With an opening position of 180° the door may have to be fixed additionally.

Suitable for

Universal milling frame

Template 5 250693 5

Template 5 250694 5

step 1

step 2

Combinations

TE 340 3D FZ

TE 340 3D SZ

TE 340 3D ST

Function range



burglar resistance



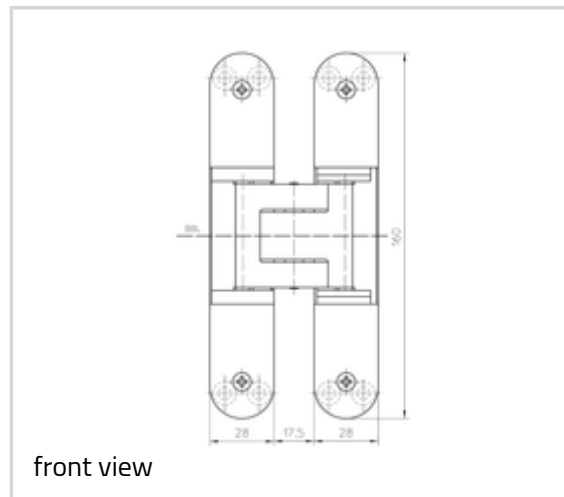
fire resistance



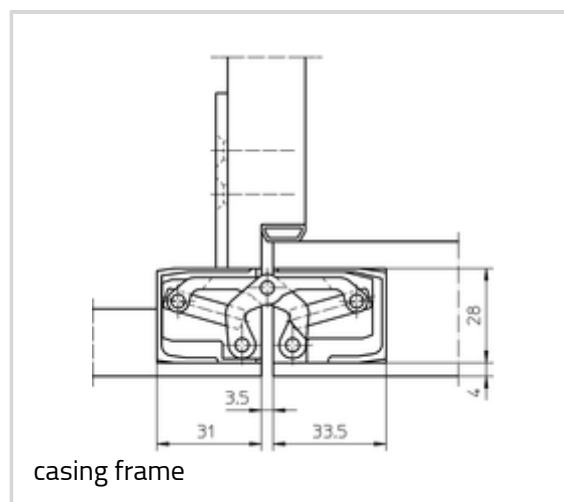
smoke resistance

Item

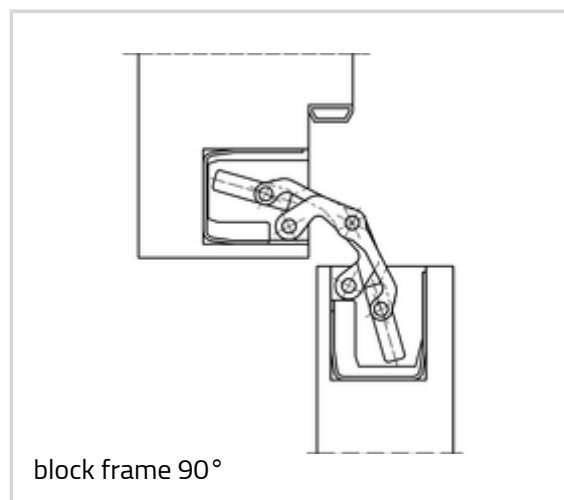
Finish(es)	030-polished brassed
OF-NR.	030
VPE	pack of 2
DIN	DIN right and left hand
Item No.	5 400605 0 03002
EAN	4015471106553
Finish(es)	038-polished nickelled
OF-NR.	038
VPE	pack of 2
DIN	DIN right and left hand
Item No.	5 400605 0 03802
EAN	4015471106577
Finish(es)	070-RAL 9016 Traffic



front view



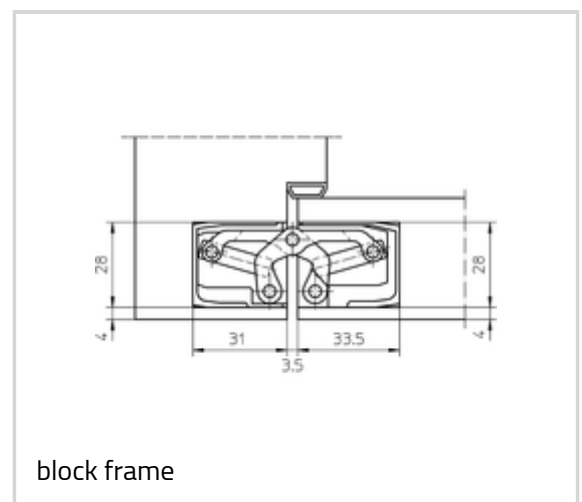
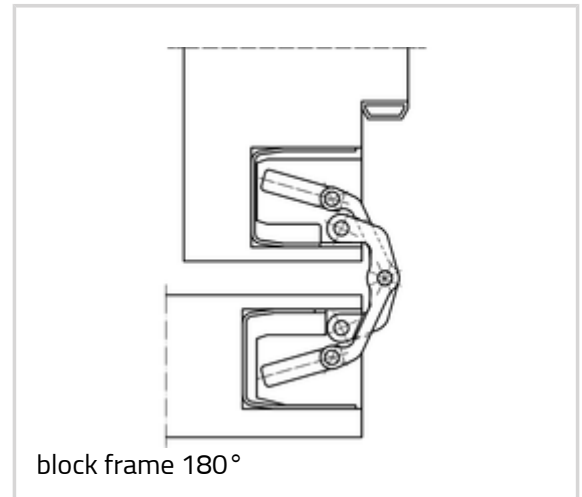
casing frame



block frame 90°

TECTUS - TE 340 3D

OF-NR.	White
VPE	070
DIN	pack of 2
Item No.	DIN right and left hand
EAN	5 400605 0 07002
	4015471106584
Finish(es)	107-RAL 9005 Matte Black
OF-NR.	107
VPE	pack of 2
DIN	DIN right and left hand
Item No.	5 400605 0 10702
EAN	4015471106607
Finish(es)	124-Satin Chrome Look (F1)
OF-NR.	124
VPE	pack of 2
DIN	DIN right and left hand
Item No.	5 400605 0 12402
EAN	4015471106614
Finish(es)	125-Satin Nickel Look (F2)
OF-NR.	125
VPE	pack of 2
DIN	DIN right and left hand
Item No.	5 400605 0 12502
EAN	4015471106638
Finish(es)	126-Stainless Steel Look (SSL)
OF-NR.	126
VPE	pack of 2
DIN	DIN right and left hand
Item No.	5 400605 0 12602
EAN	4015471106652
Finish(es)	144-Satin Nickel
OF-NR.	144
VPE	pack of 2
DIN	DIN right and left hand
Item No.	5 400605 0 14402
EAN	4015471106669



TECTUS - TE 340 3D

Finish(es)	146-Satin Chrome
OF-NR.	146
VPE	pack of 2
DIN	DIN right and left hand
Item No.	5 400605 0 14602
EAN	4015471109592
Finish(es)	156-Rustic Umber
OF-NR.	156
VPE	pack of 2
DIN	DIN right and left hand
Item No.	5 400605 0 15602
EAN	4015471106676
Finish(es)	168-Bronze Metallic
OF-NR.	168
VPE	pack of 2
DIN	DIN right and left hand
Item No.	5 400605 0 16802
EAN	4015471106683
Finish(es)	174-Bronze Finish
OF-NR.	174
VPE	pack of 2
DIN	DIN right and left hand
Item No.	5 400605 0 17402
EAN	4015471114190
Finish(es)	175-Bronze Finish light
OF-NR.	175
VPE	pack of 2
DIN	DIN right and left hand
Item No.	5 400605 0 17502
EAN	4015471114206
Finish(es)	176-Bronze Finish dark
OF-NR.	176
VPE	pack of 2
DIN	DIN right and left hand
Item No.	5 400605 0 17602
EAN	4015471114213
Finish(es)	079-coloured
OF-NR.	079

TECTUS - TE 340 3D

VPE	EUR-pallet
DIN	DIN right and left hand
Item No.	5 400605 0 07975
EAN	4015471123888