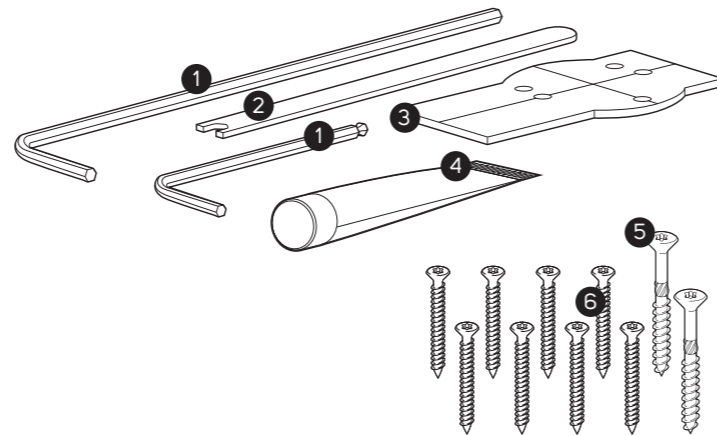
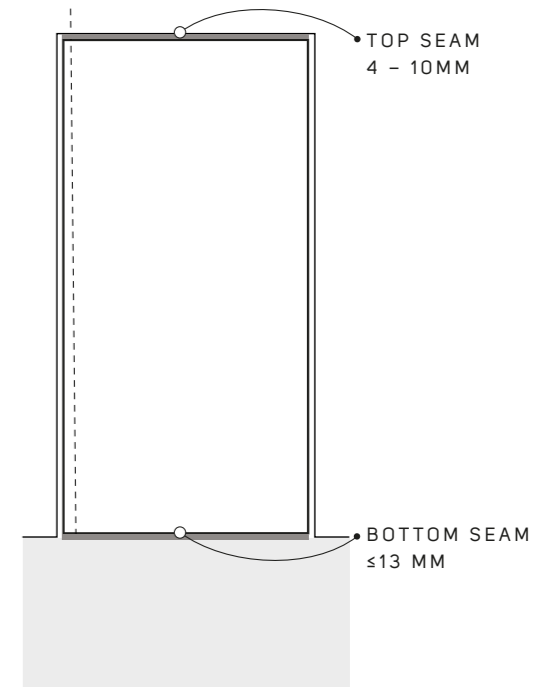
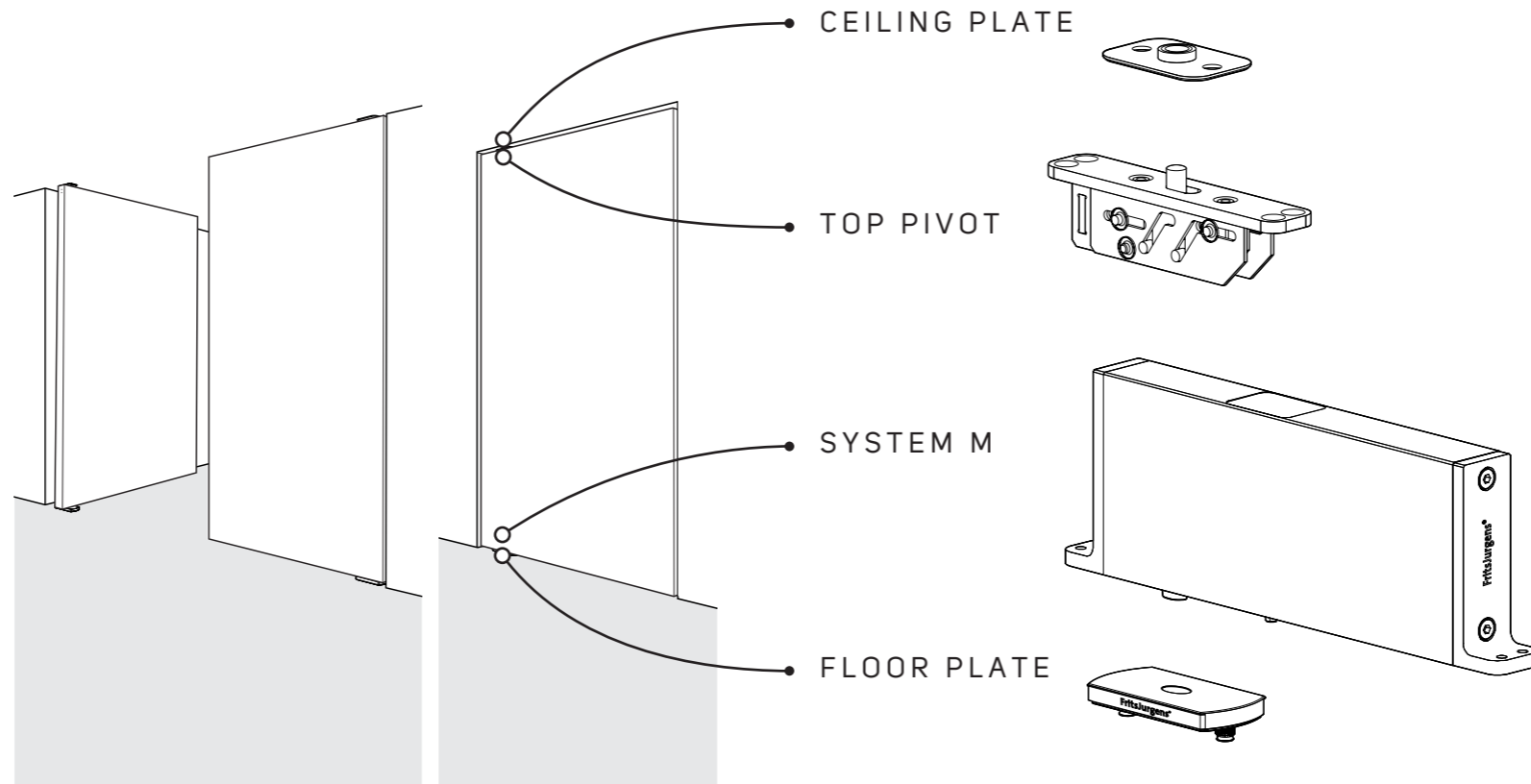


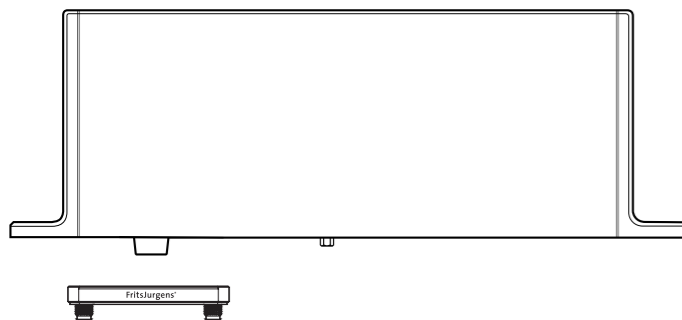
MOUNTING MANUAL

FritsJurgens®
SYSTEM M



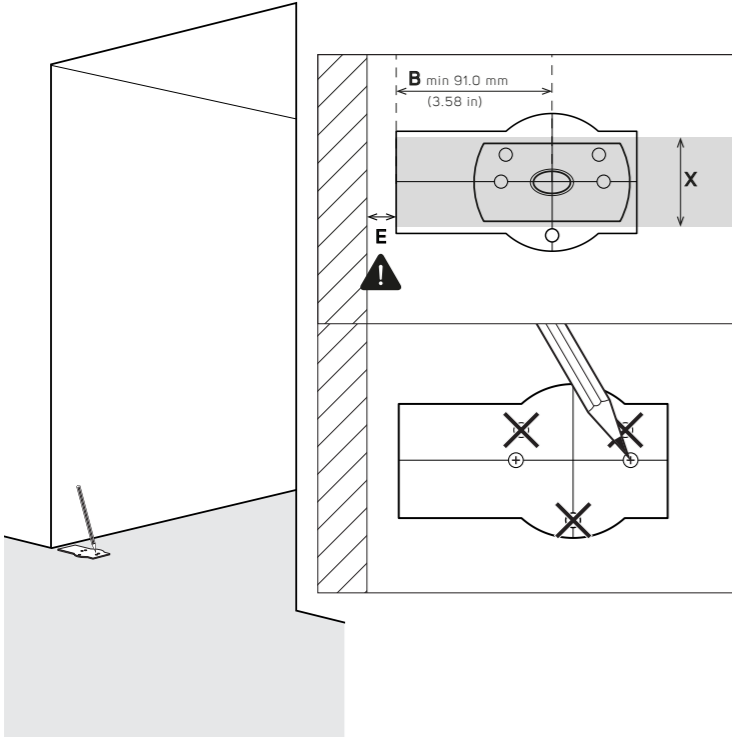
- ① ALLEN WRENCH 2X
-
- ② ADJUSTMENT SPANNER
-
- ③ FITTING TEMPLATE
-
- ④ FITTING ADHESIVE
-
- ⑤ RVS SCREW (6x60) 2x
-
- ⑥ RVS SCREW (4x50) 8x

FRITSJURGENS
+31 598 343 410
INFO@FRITSJURGENS.COM
WWW.FRITSJURGENS.COM



MOUNTING THE FLOOR PLATE

1



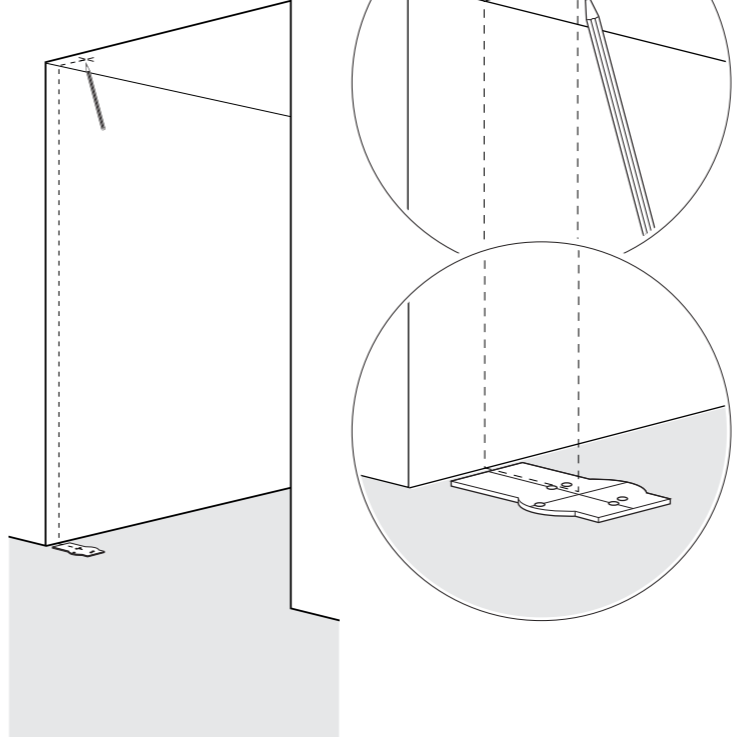
B	40	50	60	70	80	90	100	X
91	4.2	5.4	6.8	8.5	10.4	12.5	14.8	
250	2.8	3.3	3.8	4.4	5.2	6.0	7.0	
500	2.4	2.6	2.9	3.2	3.6	4.0	4.5	
1000	2.2	2.3	2.5	2.6	2.8	3.0	3.3	
1500	2.1	2.2	2.3	2.4	2.5	2.7	2.8	
2000	2.1	2.2	2.2	2.3	2.4	2.5	2.6	

E Minimum gap between door and wall ⚠

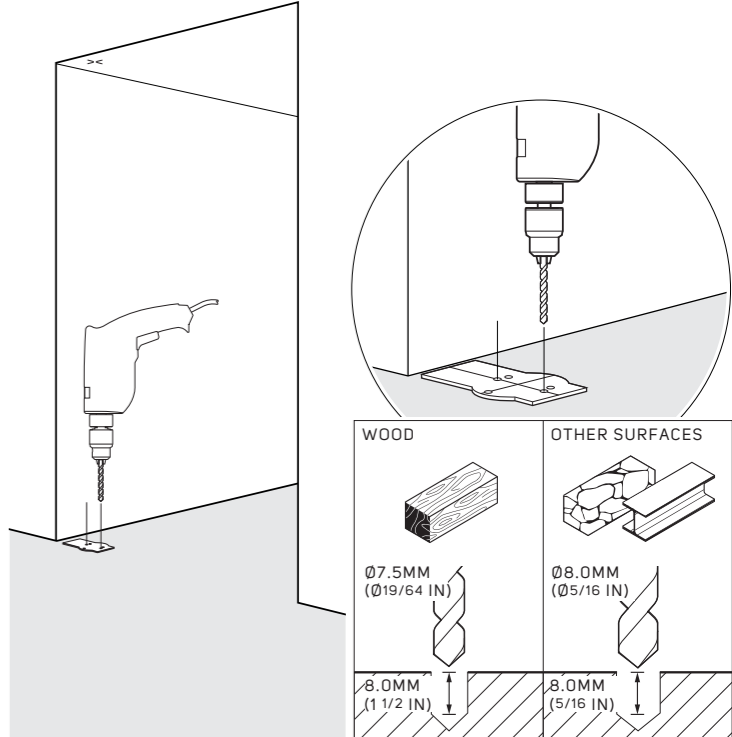
B Distance pivot point to beginning edge of door

X Door thickness ⚠

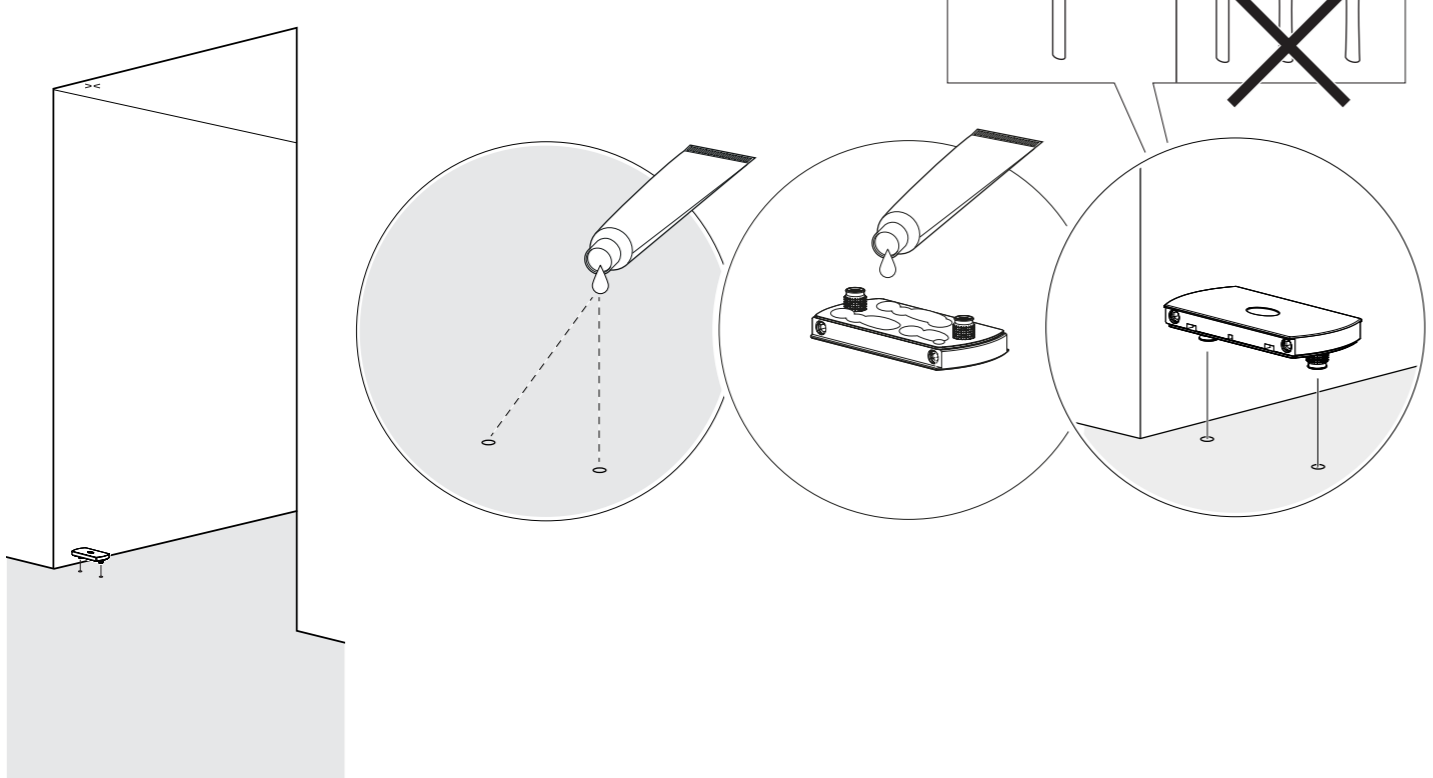
2



3

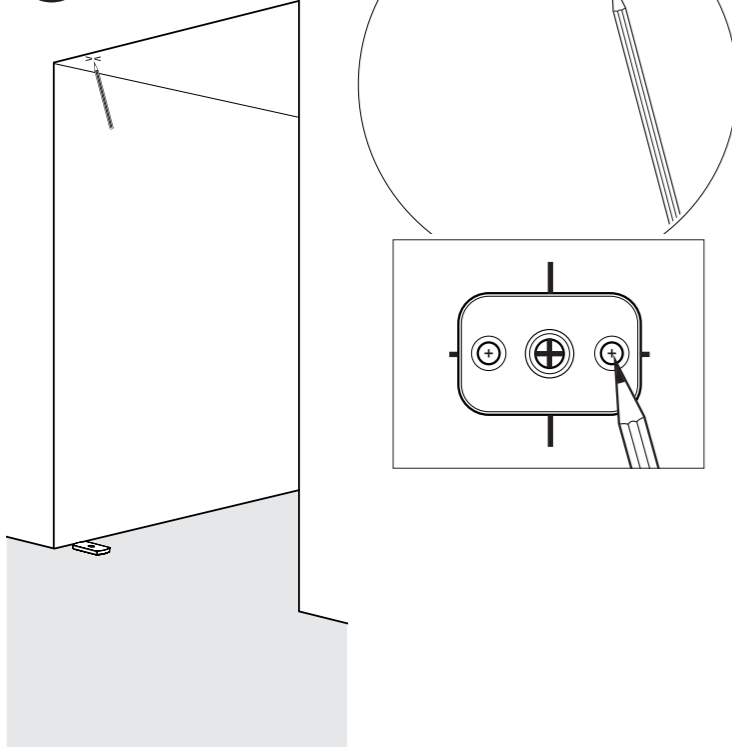


4

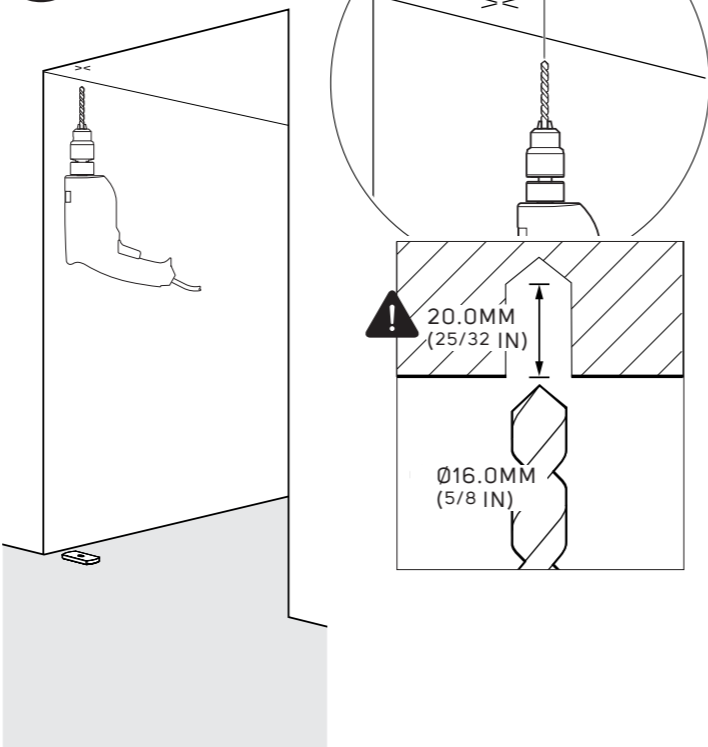


MOUNTING THE CEILING PLATE

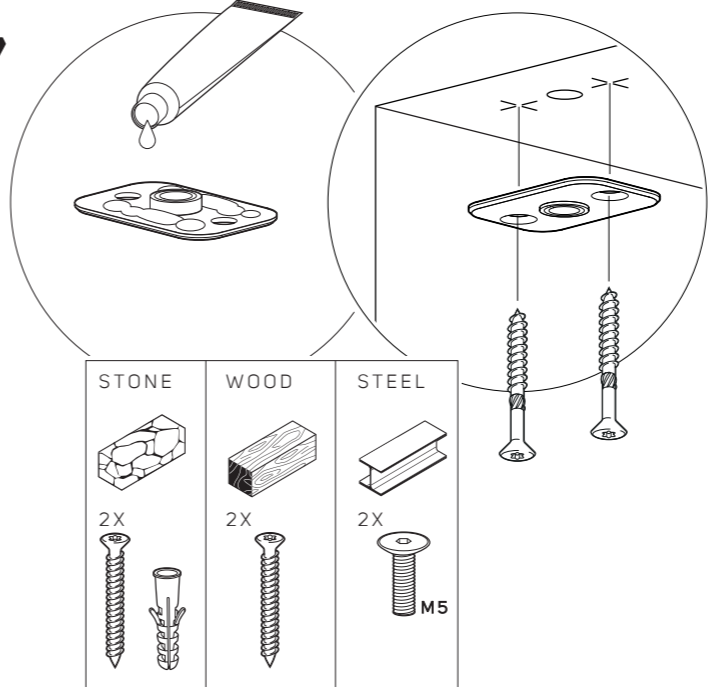
5



6

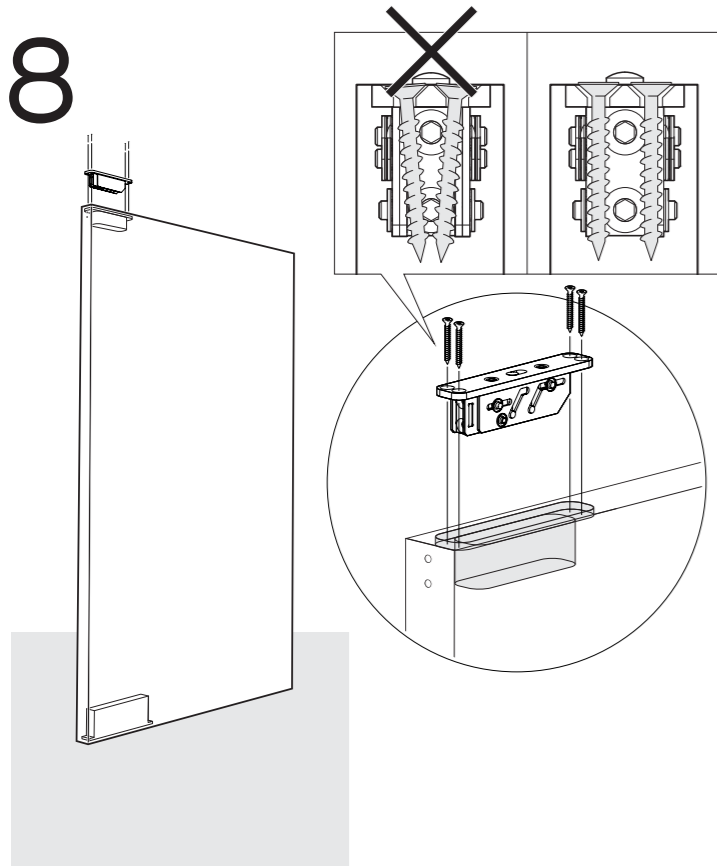


7

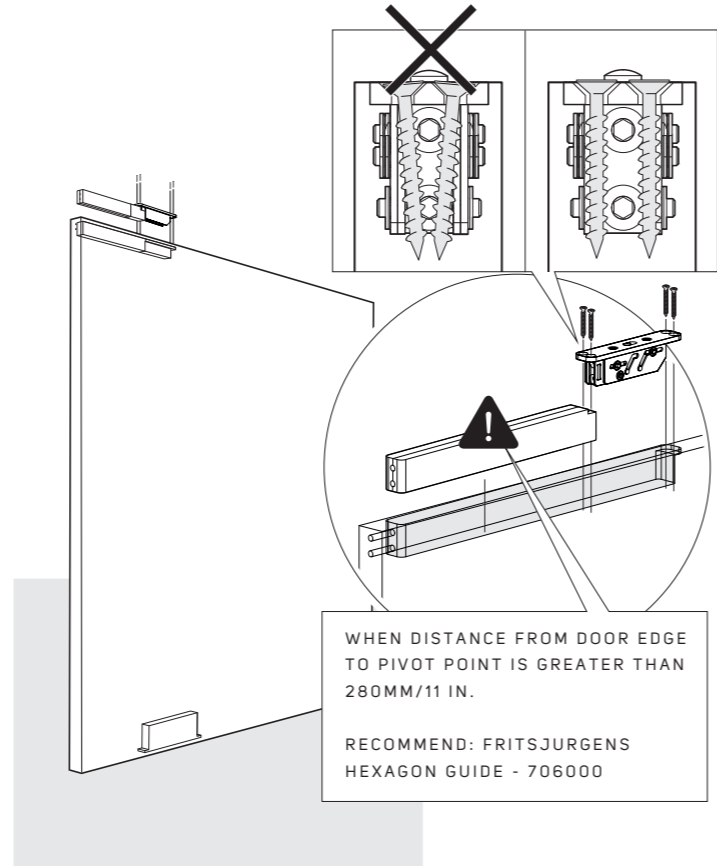


MOUNTING THE PIVOT DOOR

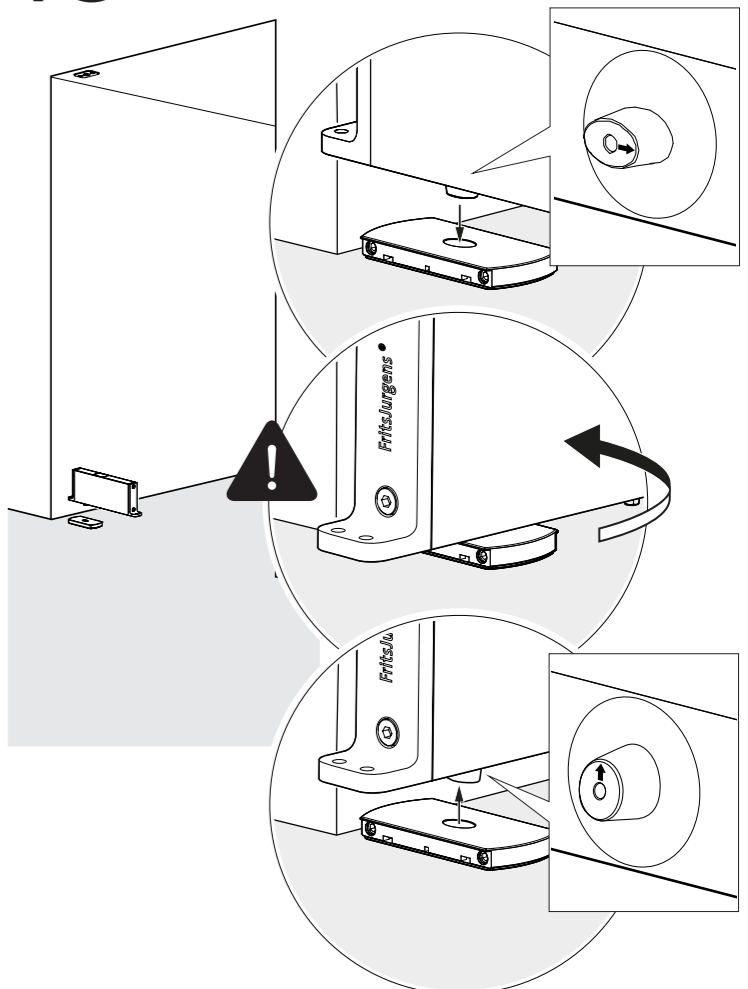
8



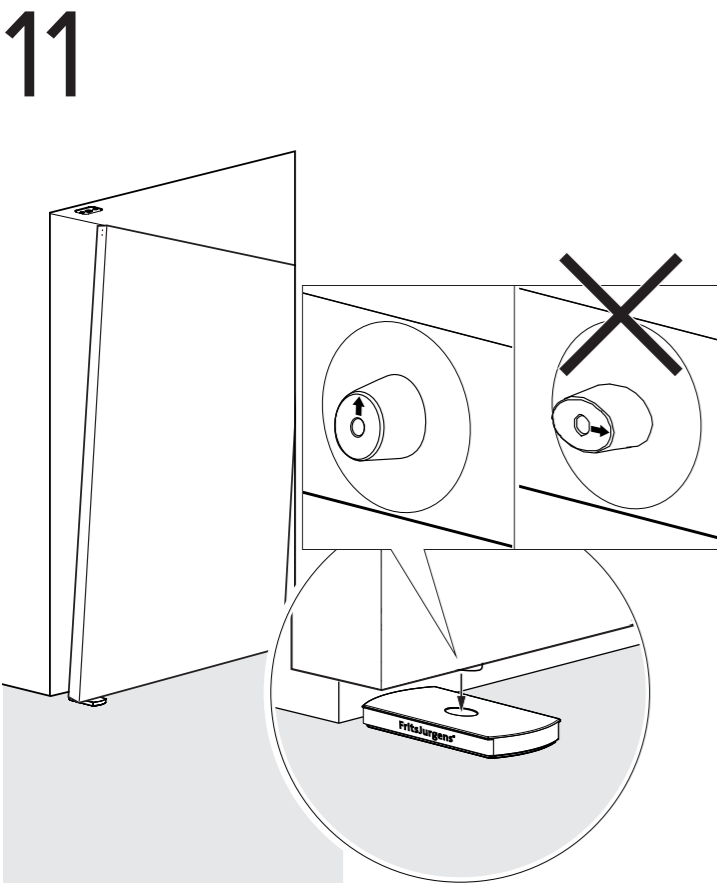
9



10



11



12

