

TE 541 3D FVZ

for unrebated residential and heavy-duty doors with recessed frame facings



Product features

- FVZ = recessed frame facings
- recessed frame facings up to 14,0 mm
- completely concealed hinge system
- for timber, steel or aluminium frames
- for unrebated heavy-duty doors
- sideways closed hinge body for a homogeneous mortise appearance
- with comfortable 3D adjustment (side +/- 3,0 mm, height +/- 3,0 mm, compression +/- 1,0 mm)
- maintenance-free slide bearings

Technical details

Attributes	Value
Load capacity	100,0 kg
Overall length	185,0 mm
Width (door part)	28,0/32,0 mm
Width (frame part)	28,0/33,0 mm
Cutter diameter	24,0 mm
Opening angle	180°

Quality marks



Certification CE



Certification IFT

ZERTIFIZIERT

warringtonfire

Warringtonfire

Classification key

4	7	5	1 ^{*1}	1	— ^{*2}	0	12
---	---	---	-----------------	---	-----------------	---	----

^{*1} Test evidence for functional doors to be achieved with full door sets and assemblies.

^{*2} depending on the finish

TECTUS - TE 541 3D FVZ

Note

The load capacity mentioned above refers to the use of 2 hinges per door leaf (1 x 2 m), for detailed information please look at the chapter "technical information".

With an opening position of 180° the door may have to be fixed additionally.

Suitable for

Universal milling frame

Template 5 250682 5

frame, step 3

Template 5 250942 5

frame / door, step 1

Template 5 250943 5

frame / door, step 2

Template 5 250944 5

door, step 3

Combinations

TE 541 3D FVZ FZ

TE 541 3D FVZ SZ

TE 541 3D FVZ ST

Function range



fire resistance



smoke resistance

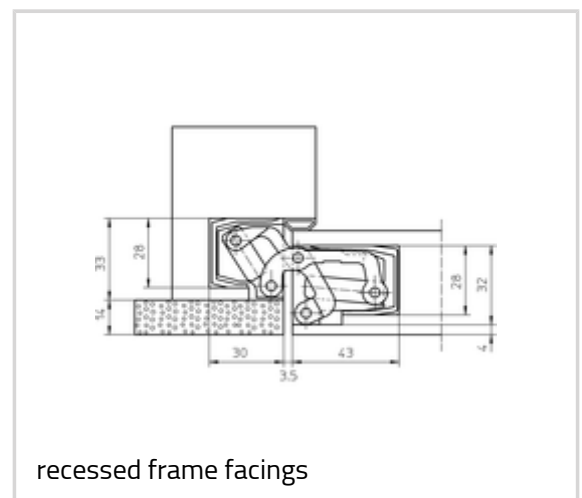
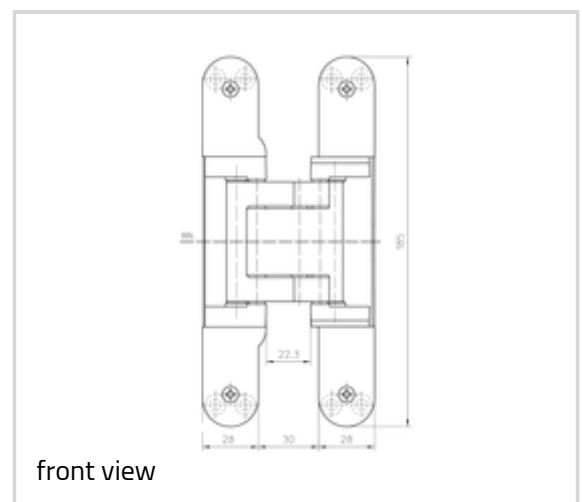
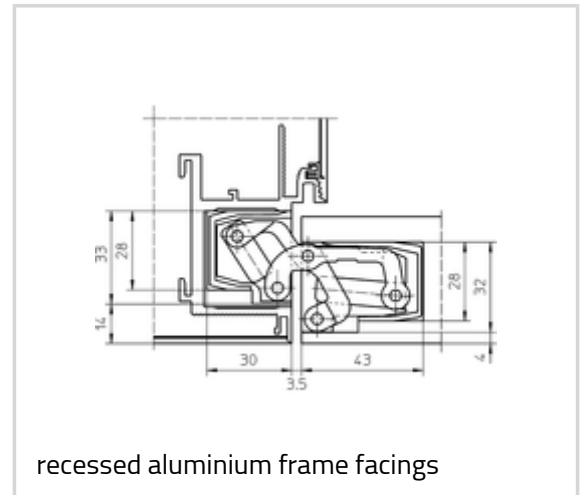


soundproof

Item

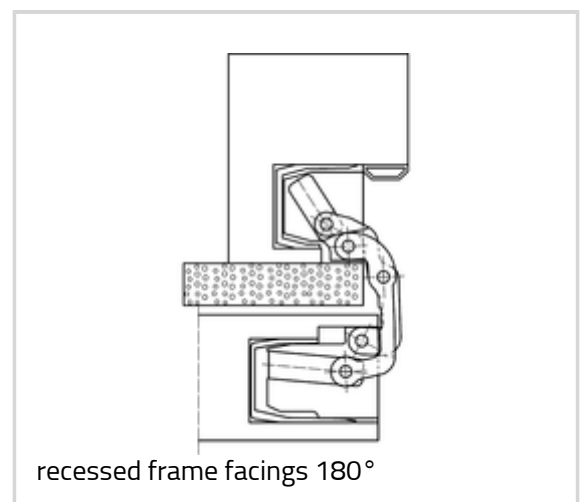
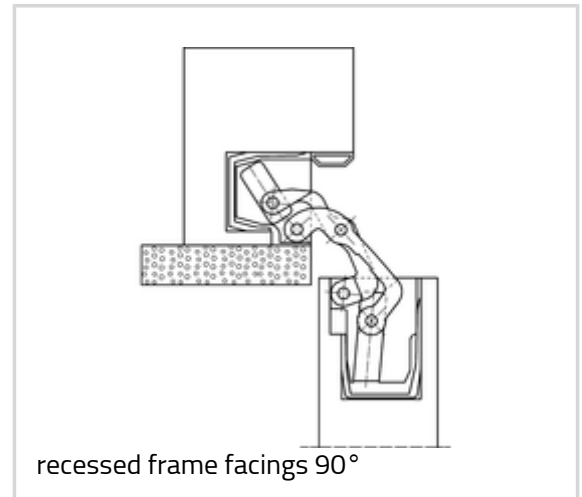
Finish(es)	030-polished brassed
OF-NR.	030
VPE	pack of 2
DIN	DIN right and left hand
Item No.	5 400631 0 03002
EAN	4015471122782

Finish(es)	038-polished nickelled
OF-NR.	038



TECTUS - TE 541 3D FVZ

VPE	pack of 2
DIN	DIN right and left hand
Item No.	5 400631 0 03802
EAN	4015471120047
Finish(es)	124-Satin Chrome Look (F1)
OF-NR.	124
VPE	pack of 2
DIN	DIN right and left hand
Item No.	5 400631 0 12402
EAN	4015471110130
Finish(es)	125-Satin Nickel Look (F2)
OF-NR.	125
VPE	pack of 2
DIN	DIN right and left hand
Item No.	5 400631 0 12502
EAN	4015471119263
Finish(es)	126-Stainless Steel Look (SSL)
OF-NR.	126
VPE	pack of 2
DIN	DIN right and left hand
Item No.	5 400631 0 12602
EAN	4015471110147
Finish(es)	174-Bronze Finish
OF-NR.	174
VPE	pack of 2
DIN	DIN right and left hand
Item No.	5 400631 0 17402
EAN	4015471134044
Finish(es)	176-Bronze Finish dark
OF-NR.	176
VPE	pack of 2
DIN	DIN right and left hand
Item No.	5 400631 0 17602
EAN	4015471131838
Finish(es)	079-coloured
OF-NR.	079
VPE	EUR-pallet



TECTUS - TE 541 3D FVZ

DIN	DIN right and left hand
Item No.	5 400631 0 07975
EAN	4015471119270