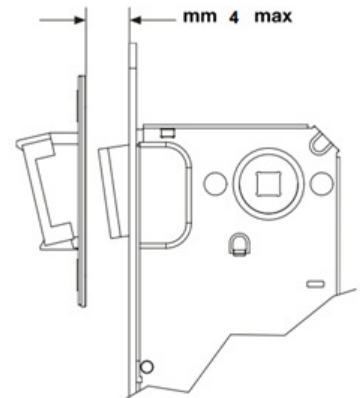
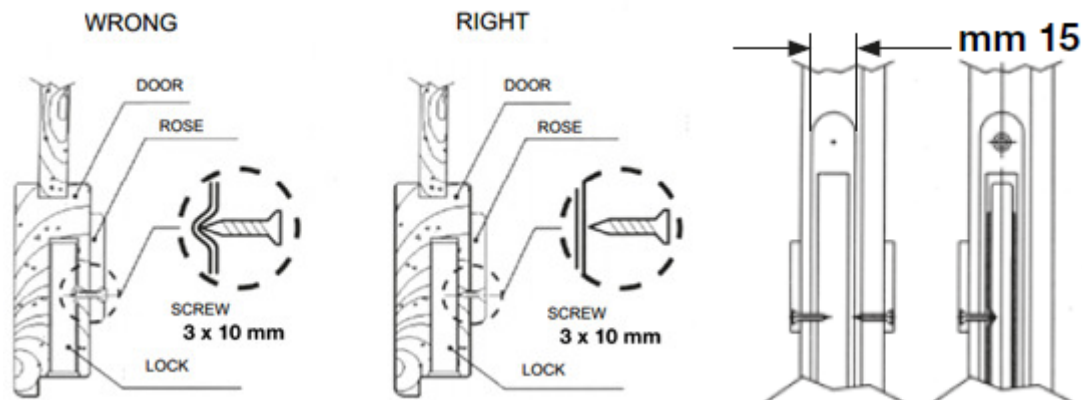


## B-TWIN MAGNETIC LOCK ASSEMBLING INSTRUCTIONS

**1** Maximum distance between magnetic lock and strike plate is 4 mm.



**2** Verify that mounting screws of handle rosettes are in correct length.  
Holes for through bolt fixing must be made in correct measure and position.



The proper use of the lock requires that excessive force is not be applied to the lock or its individual parts. Never attempt to open the lock by using unapproved objects.

The mortice lock must not be the leaf when drilling the openings for the door handle, door lock covers, toilet sets, key escutcheons and their attachment bolts. Dust, sawdust, metal swarfs or other foreign bodies may not enter the mortice lock.

The recesses for the mortice lock, strike plate and door furniture must be done correctly. The positioning of the mortice lock and the furniture attached to it may not be shifted out of alignment and/or placed under tension in an unnatural position.

The mortice lock front plate and strike plate front plate may be cared for only with a soft cloth that is moistened with water.

Regular application of lock oil to the door handle at the spindle and locking points will help to extend the useful life of a mortice lock.

In addition to the maintenance of the door and its parts, the operation of the door must also be regularly checked. The door must fit smoothly within the jamb, it must not be pushed too tightly against the jamb or be sagging (if necessary, adjust the position of the door hinges or the strike plate).

Failure to comply with the directions above will result in the loss of warranty for the product.