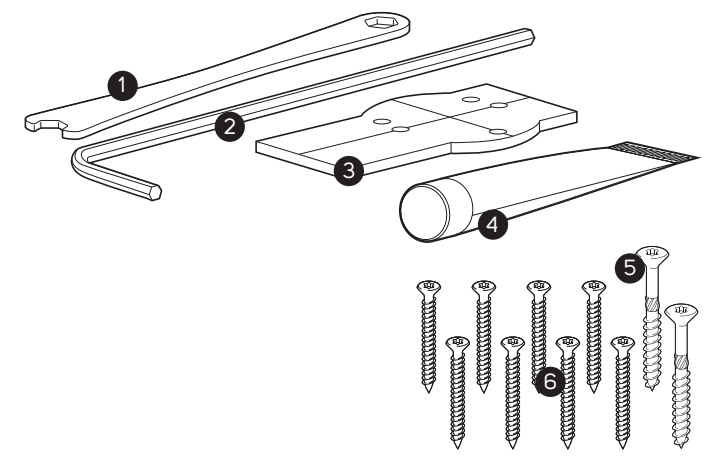
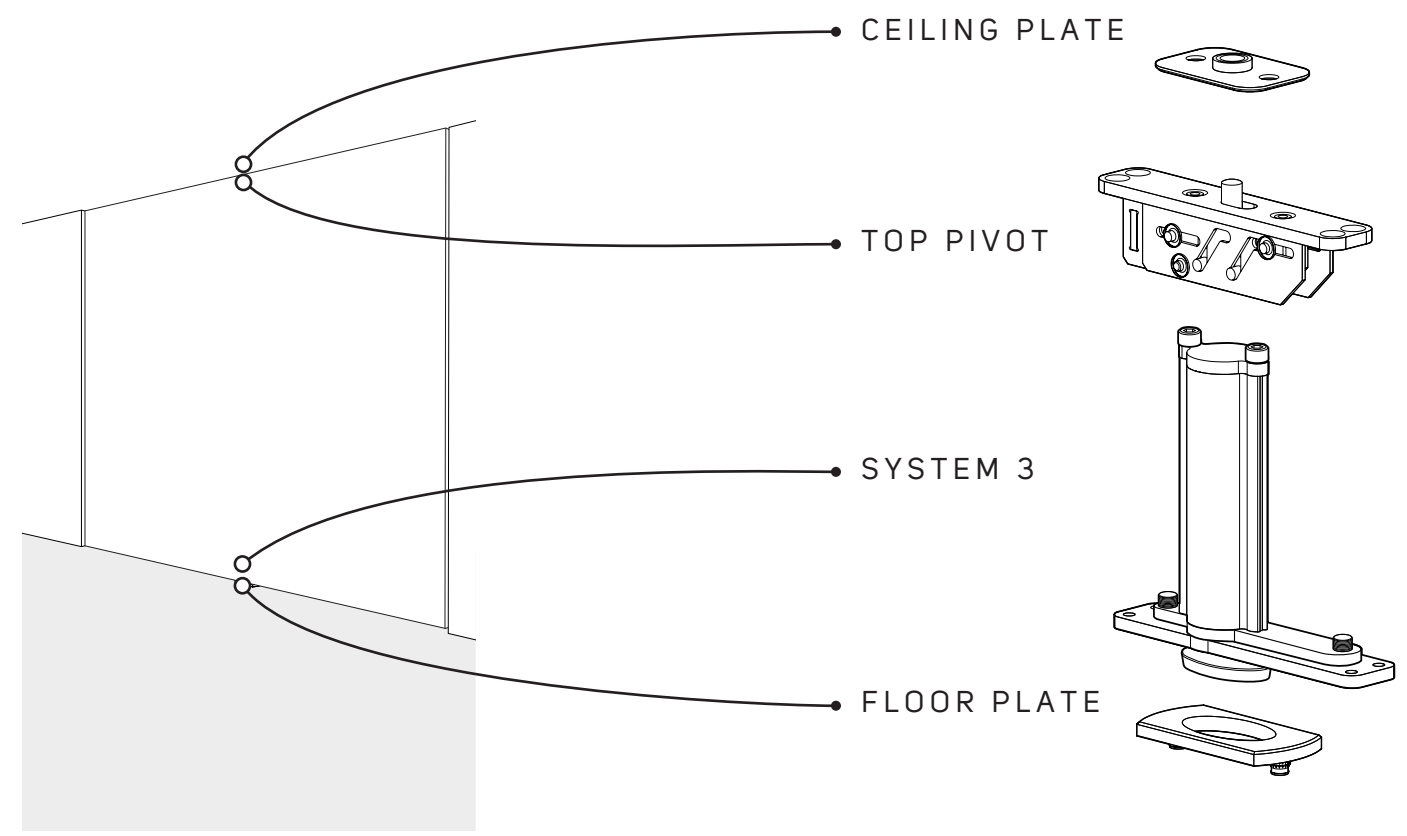
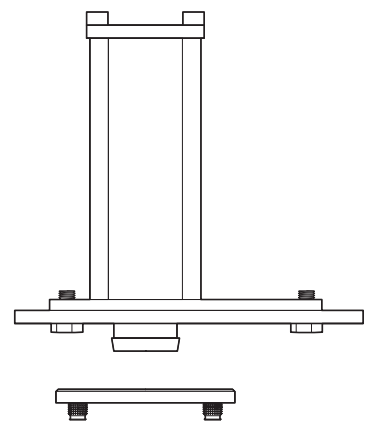


MOUNTING MANUAL

FritsJurgens®  
SYSTEM 3

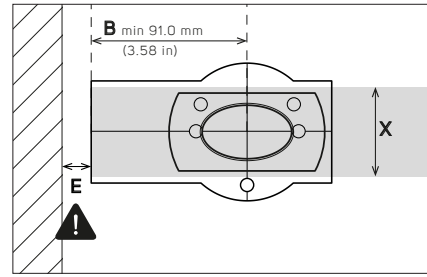
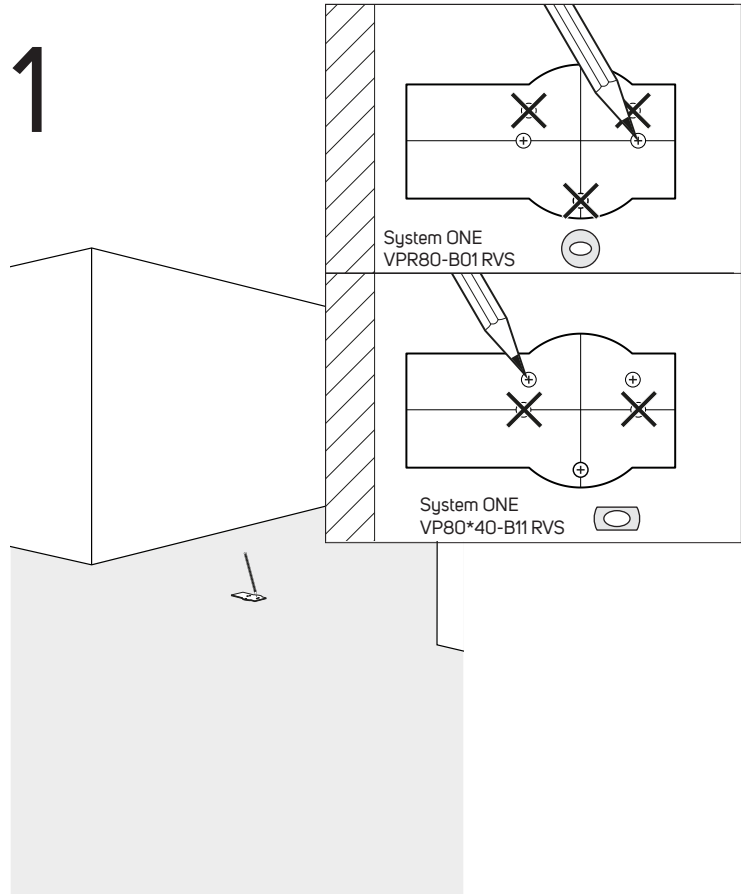


- ① ADJUSTMENT SPANNER
- 
- ② ALLEN WRENCH
- 
- ③ FITTING TEMPLATE
- 
- ④ FITTING ADHESIVE
- 
- ⑤ SCREW (6x60) 2x
- 
- ⑥ SCREW (4x50) 8x



MOUNTING THE FLOOR PLATE

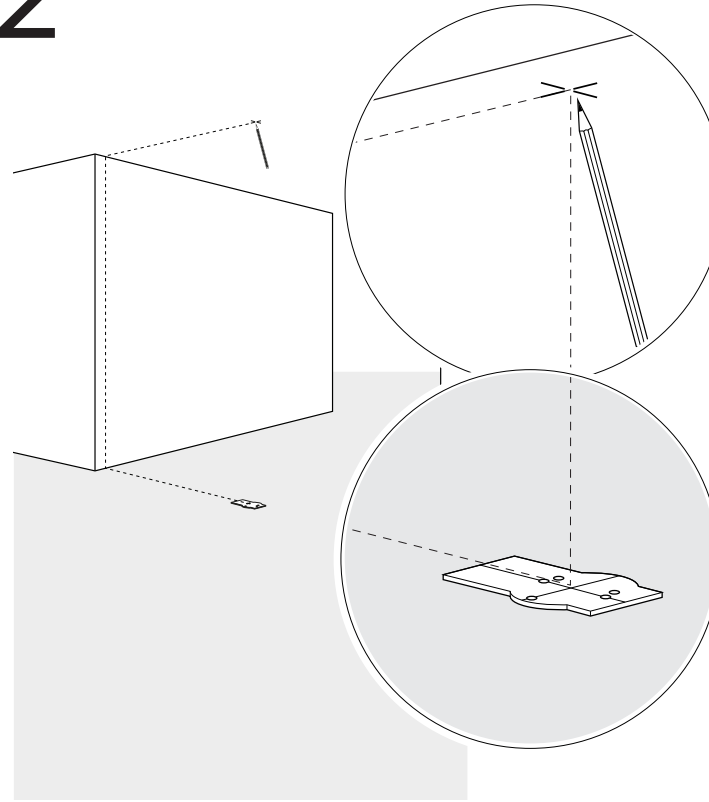
1



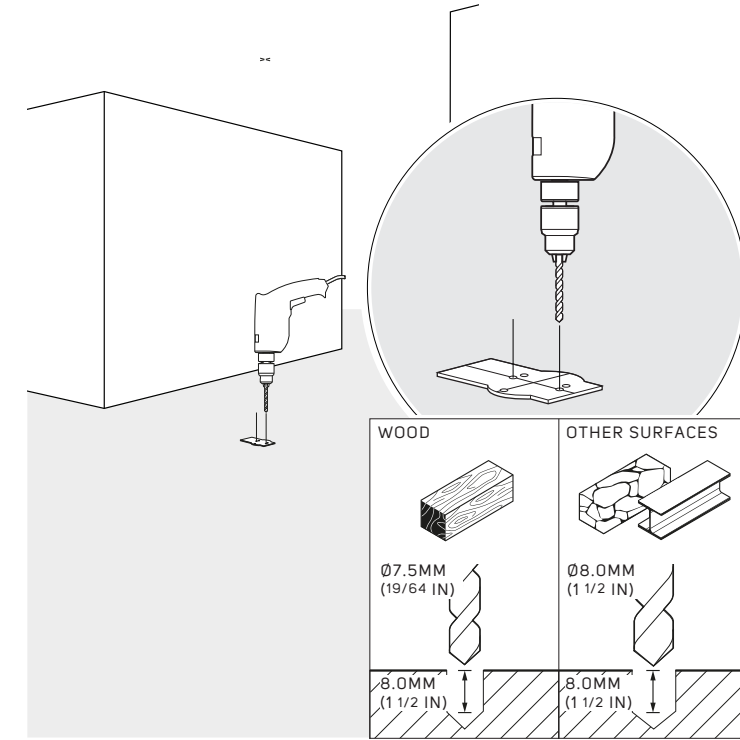
	40	50	60	70	80	90	100	X
91	4.2	5.4	6.8	8.5	10.4	12.5	14.8	
250	2.8	3.3	3.8	4.4	5.2	6.0	7.0	
500	2.4	2.6	2.9	3.2	3.6	4.0	4.5	
1000	2.2	2.3	2.5	2.6	2.8	3.0	3.3	
1500	2.1	2.2	2.3	2.4	2.5	2.7	2.8	
2000	2.1	2.2	2.2	2.3	2.4	2.5	2.6	

**E** Minimum gap between door and wall  
**B** Distance pivot point to beginning edge of door  
**X** Door thickness

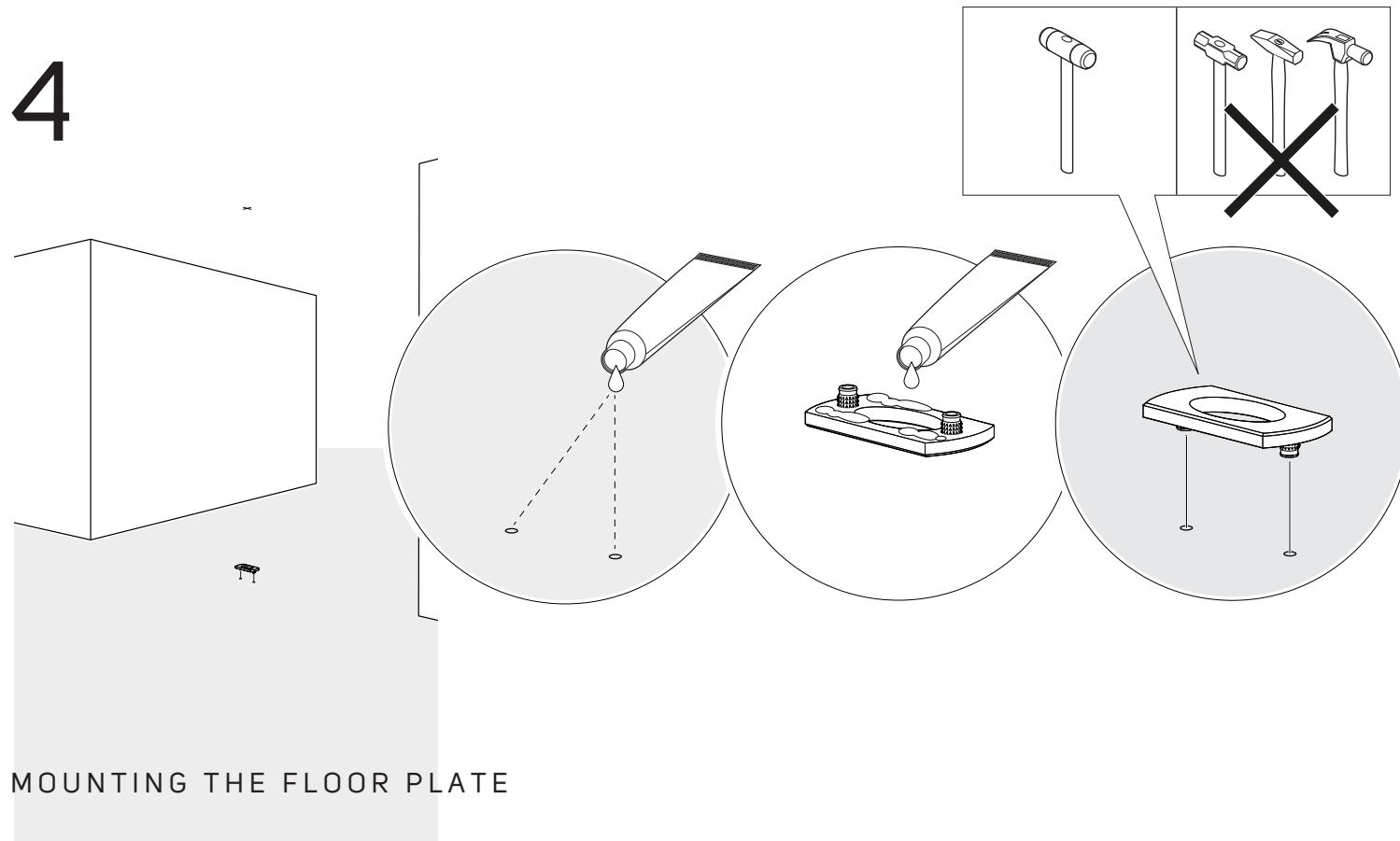
2



3

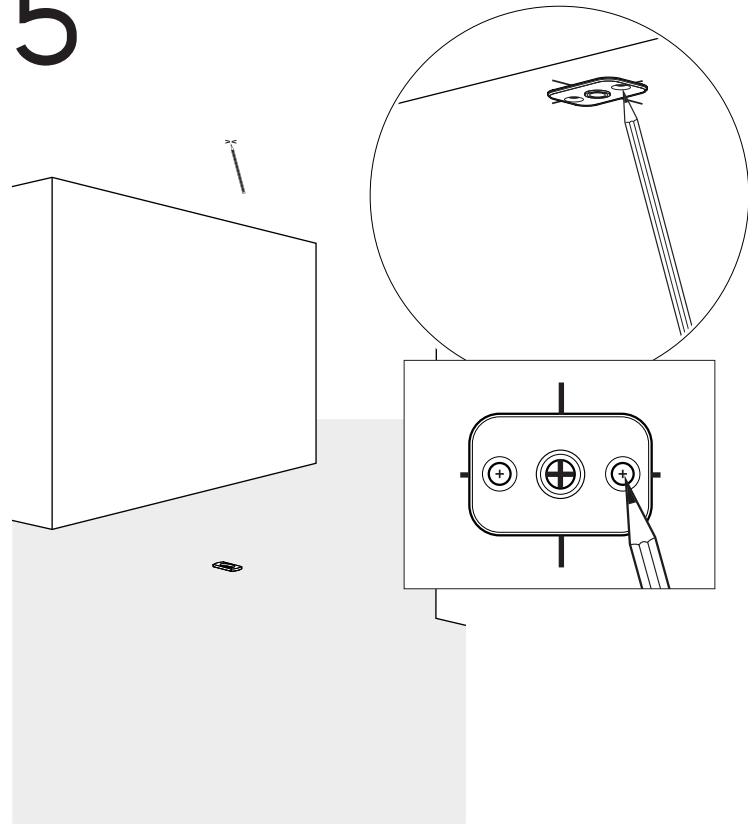


4

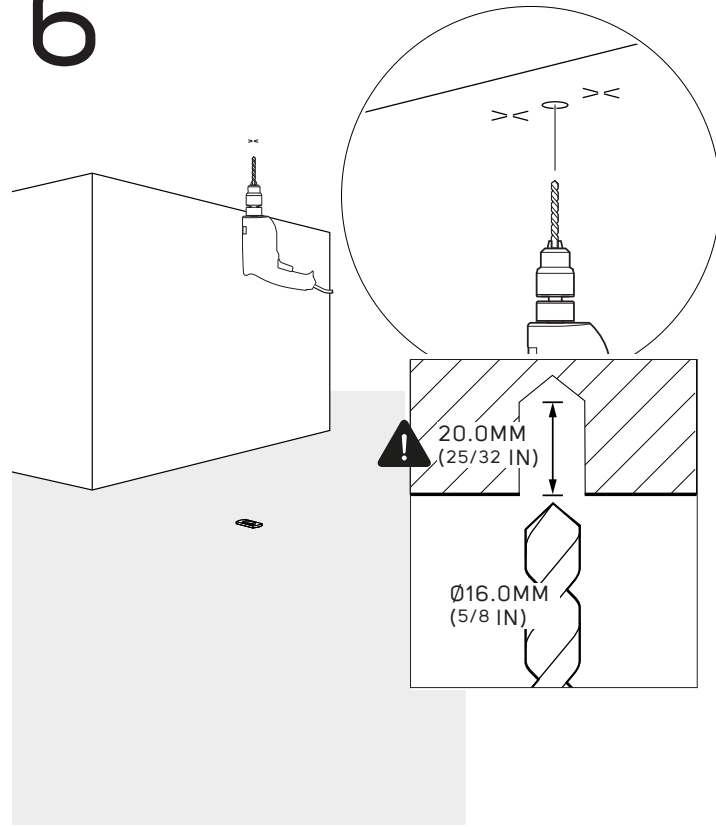


MOUNTING THE FLOOR PLATE

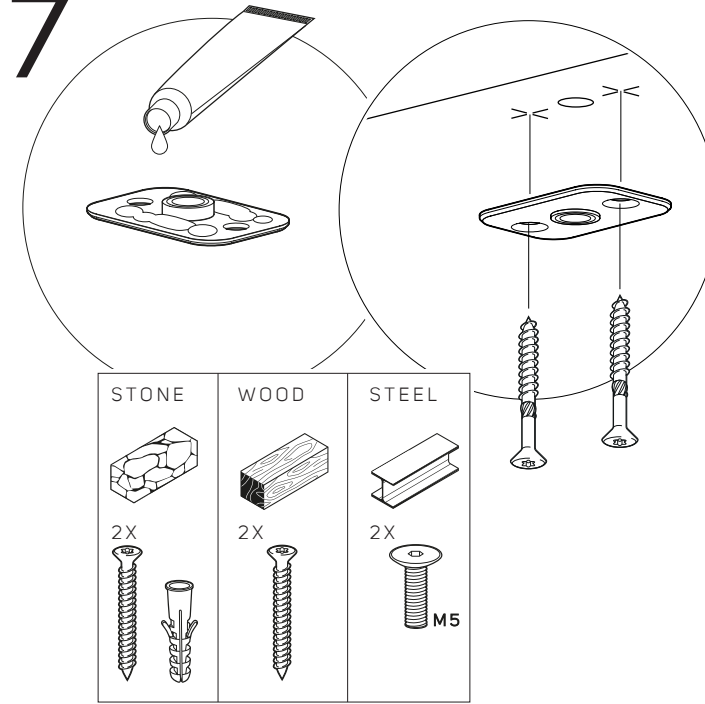
5



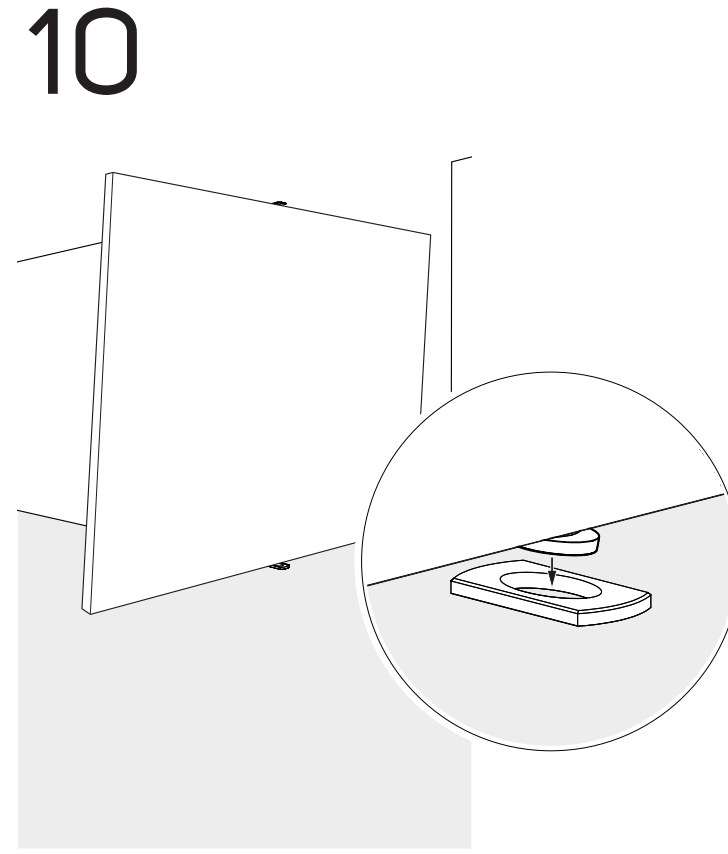
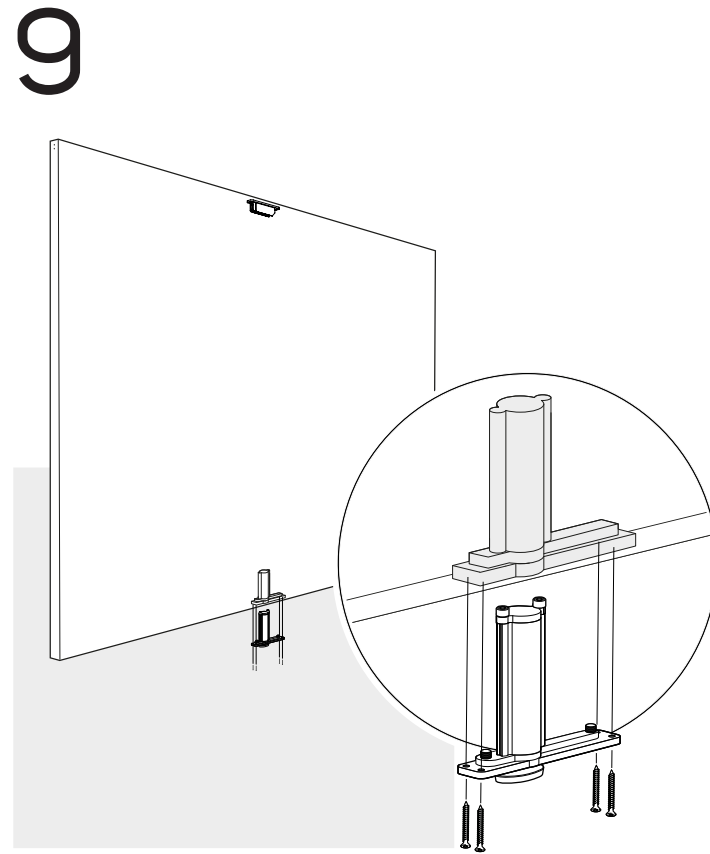
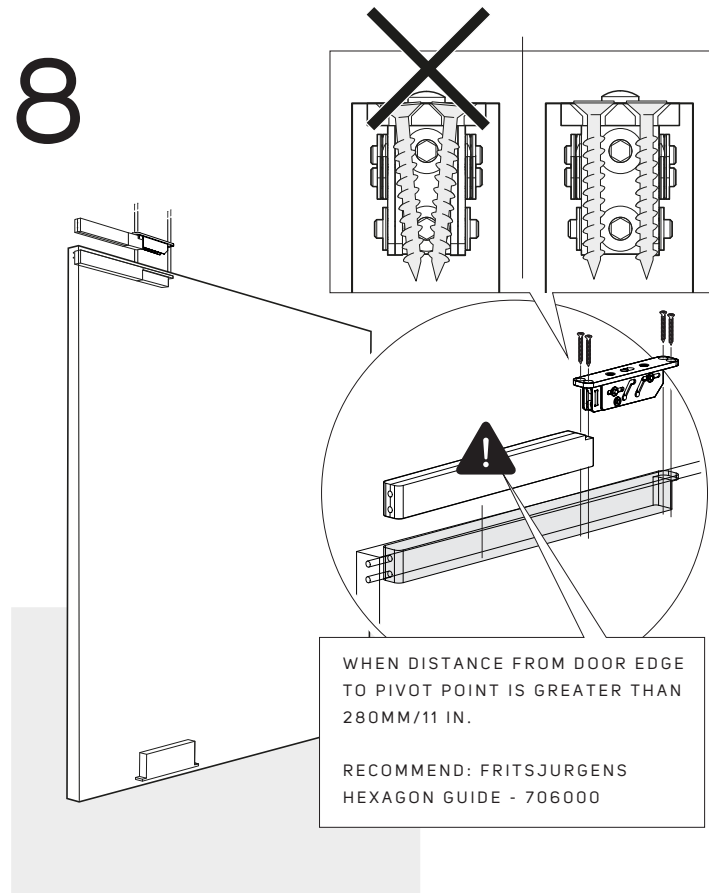
6



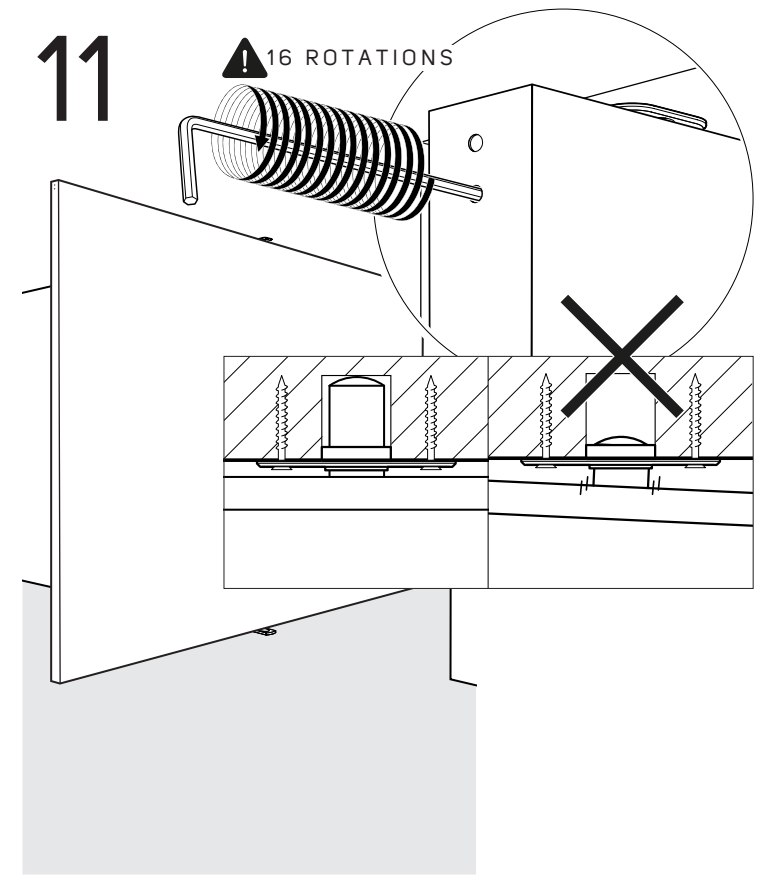
7



MOUNTING THE PIVOT DOOR



FritsJurgens®



MOUNTING THE PIVOT DOOR

