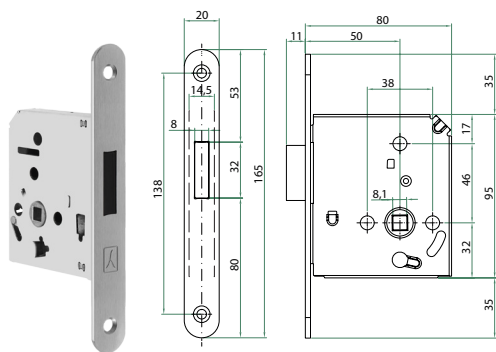


ADVANTAGES

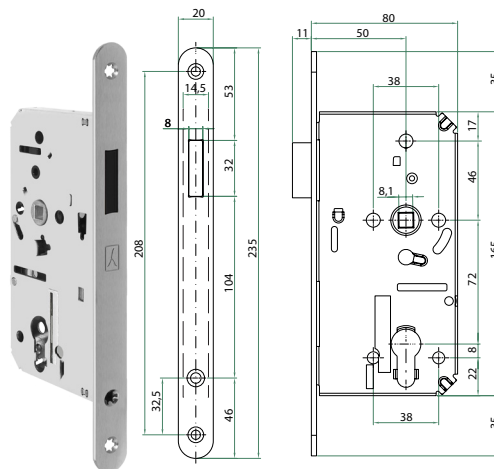
- silence and fluidity during opening and closing cycle of the door
- design: the side of the door is completely smooth
- corrosion resistance
- safety for children: no risk of crushing
- reliability: only a few moving elements
- no maintenance required
- the widest choice of finishing on the market
- front plate width: 18, 20 and 24 mm
- backset: 50, 55, 60 and 65 mm
- completely compatible with Bonaiti and Hafi handles

MAGNETIC LOCKS

The locks



PASSAGE
version

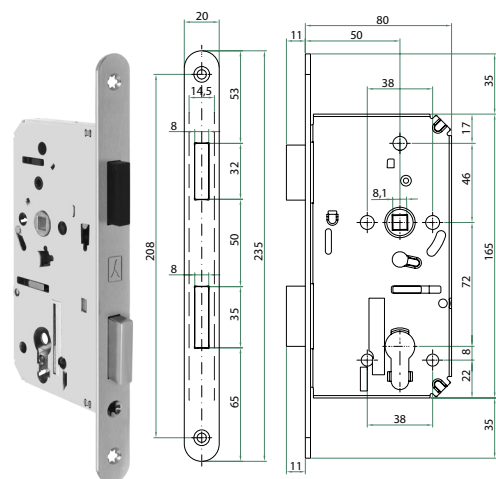


ONLY LATCH
version

UNI EN 12209:05

1|M|8|0|0|C|-|H|0|2|0|

available in CB, WC and PZ versions

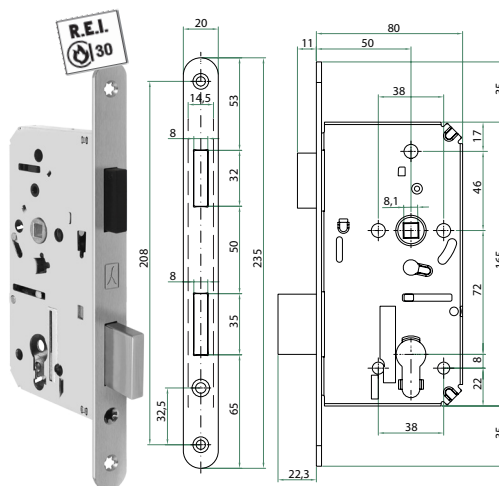


ONE KEY TURN
version

UNI EN 12209:05

2|M|8|0|0|C|1|H|*|2|0|

available in CB, WC and PZ versions



TWO KEY TURNS
version

UNI EN 12209:05

3|M|8|1|0|C|2|H|*|2|0|

available in CB, WC and PZ versions



Backset

50 - 55 - 60 - 65 mm



Versions

passage
only latch
one key turn
two key turns



Front plate

height: 235 mm
height Passage: 165 mm
width: 18 - 20 - 24 mm
thickness: 3 mm



Double follower

handle and WC: 8 mm



Axis

CB and PZ: 72 mm
WC: 78 mm



Material

stainless steel (SS) or steel



Finishing

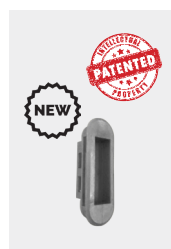
polished chrome
satin chrome
varnished matt black
varnished polished brass
varnished silver 7048
polished stainless steel
satin stainless steel



On demand

key holder
handle follower WC: 6 mm

The striking plates



GF40
without
screws



GIS8 GI98
adjustable striking plates



G343

	PASSAGE	ONLY LATCH	ONE KEY TURN	TWO KEY TURNS
GF40	X	X		
GIS8	X	X		
GI98	X	X		
G343			X	X