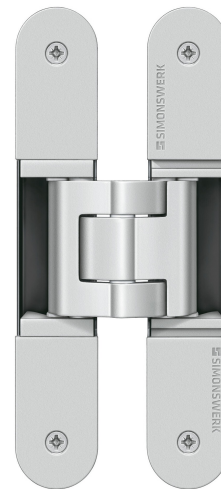


TE 340 3D FR

with integrated intumescent kit for unrebated residential and heavy duty doors



Product features

- with integrated intumescent kit
- completely concealed hinge system
- for timber, steel or aluminium frames
- for unrebated residential and heavy-duty doors
- sideways closed hinge body for a homogeneous mortise appearance
- with comfortable 3D adjustment (side +/- 3,0 mm, height +/- 3,0 mm, compression +/- 1,0 mm)
- maintenance-free slide bearings

Technical details

Attributes	Value
Load capacity	80,0 kg
Overall length	160,0 mm
Width (door part)	28,0 mm
Width (frame part)	28,0 mm
Cutter diameter	24,0 mm
Opening angle	180°

Note

Quality marks



Certification CE



Certification IFT

ZERTIFIZIERT

warringtonfire

Warringtonfire

Classification key

3	7	4	1 ^{*1}	1	— ^{*2}	0	11
---	---	---	-----------------	---	-----------------	---	----

^{*1} Test evidence for functional doors to be achieved with full door sets and assemblies.

^{*2} depending on the finish

TECTUS - TE 340 3D FR

The load capacity mentioned above refers to the use of 2 hinges per door leaf (1 x 2 m), for detailed information please look at the chapter "technical information".

With an opening position of 180° the door may have to be fixed additionally.

Suitable for

Universal milling frame

Template 5 250693 5

Template 5 250694 5

step 1

step 2

Combinations

TE 340 3D FZ

TE 340 3D SZ

TE 340 3D ST

Function range



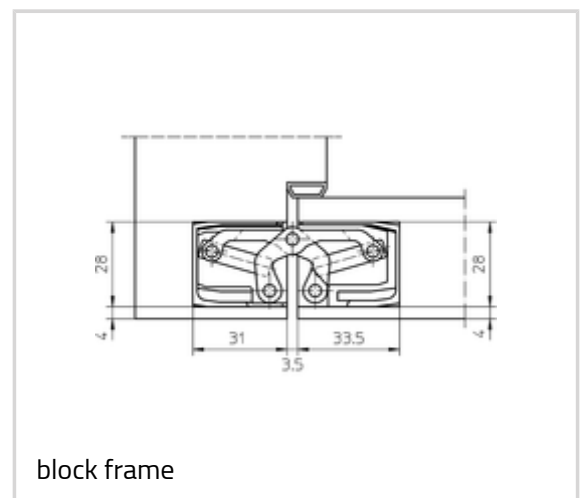
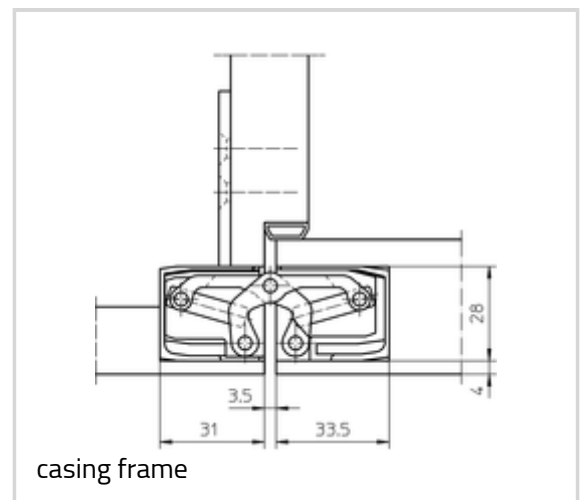
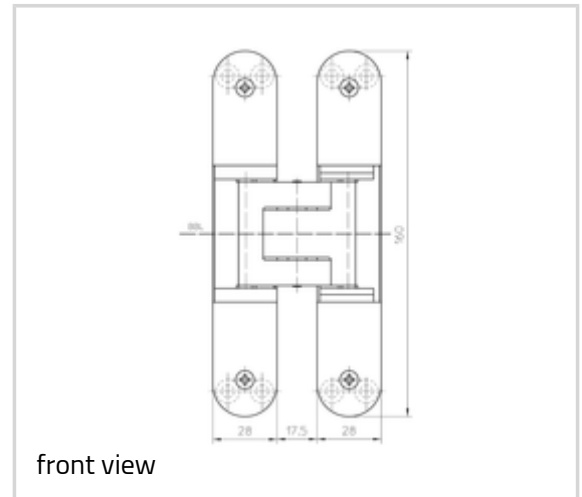
fire resistance



smoke resistance

Item

Finish(es)	124-Satin Chrome Look (F1)
OF-NR.	124
VPE	pack of 2
DIN	DIN right and left hand
Item No.	5 400621 0 12402
EAN	4015471109691
Finish(es)	126-Stainless Steel Look (SSL)
OF-NR.	126
VPE	pack of 2
DIN	DIN right and left hand
Item No.	5 400621 0 12602



TECTUS - TE 340 3D FR

EAN

4015471109707