

# Planet MinE

## Drop-down seals



Sound protection and  
air circulation simultaneously!

 Planet  
ASSA ABLOY

SWISS MADE

Experience a safer  
and more open world

# Application field for Planet MinE

Step-free doors, that must offer protection from noise and light, while also providing air circulation

Low energy houses and passive buildings with ventilation systems



**Situation without Planet:**

- door gap not closed
- no light and sound protection
- no discretion/privacy

**The solution with Planet MinE:**

- ✓ Door gap closed, invisible solution
- ✓ Sound and light protection
- ✓ Air circulation / air compensation

Rooms with air compensation, toilet and wet rooms



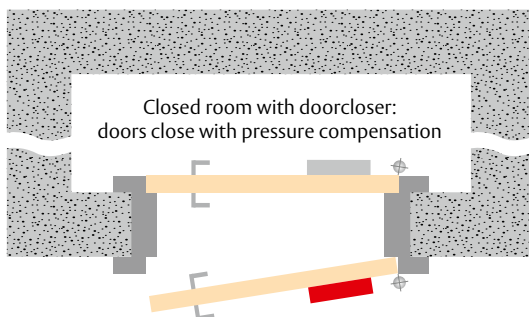
**Situation without Planet:**

- door gap not closed
- possibly with ventilation grille
- noise penetrate outwards

**The solution with Planet MinE:**

- ✓ Sound and light protection
- ✓ No ventilation grille, invisible solution
- ✓ Discretion/privacy, door gap closed
- ✓ Air circulation, moisture escapes

Closed room or airlock doors



**Situation without Planet:**

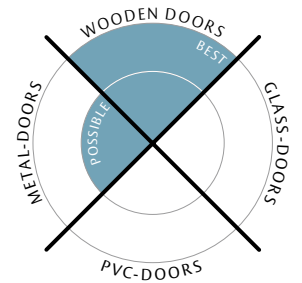
- door can't close because air can't escape

**The solution with Planet MinE:**

- ✓ door closes, air escapes, even if the window is open or not
- ✓ Air circulation / air compensation

Planet MinE-F/S drop-down seal for sound insulation, fire protection and light protection, with simultaneous air circulation





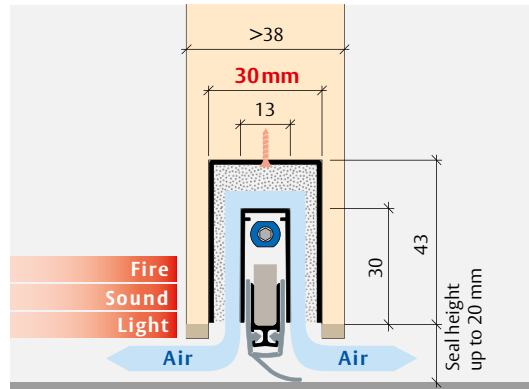
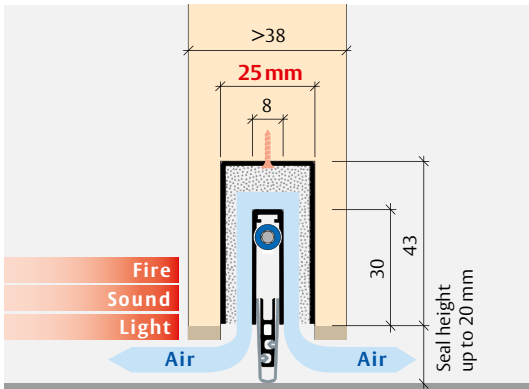
## Narrow

Planet **MinE-F** drop-down seals  
(Planet **MinE-F/S** and Planet **MinE-F/V**)  
also suitable **for rebated doors**  
profiles: **8 x 30 mm / 25 x 43 mm**



## Wide

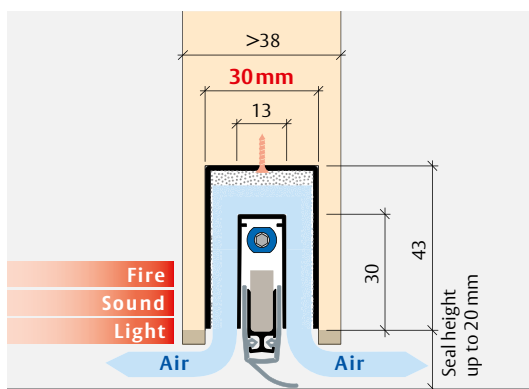
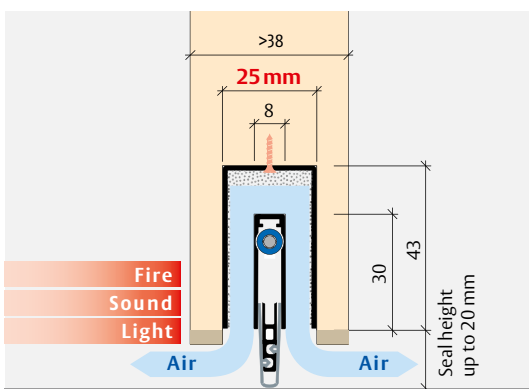
Planet **MinE** drop-down seals  
(Planet **MinE-S** and Planet **MinE-V**)  
suitable **for flush doors**  
profiles: **13 x 30 mm / 30 x 43 mm**



**more  
sound protection**

Technical specifications	Planet <b>MinE-F/S</b>
<b>Sound protection</b>	up to 27 dB at an air gap of 7 mm
<b>Air passage</b>	30 m <sup>3</sup> /h at a pressure difference of 3,9 Pa (door width 1050 mm)
<b>Lift adjustment</b>	via the release knob using a 3 mm Allen key
<b>Lengths in stock</b>	335, 460, 585, 710, 835, 960, 1085, 1210, 1335, 1460 mm

Technical specifications	Planet <b>MinE-S</b>
<b>Sound protection</b>	up to 27 dB at an air gap of 7 mm
<b>Air passage</b>	30 m <sup>3</sup> /h at a pressure difference of 3,9 Pa (door width 1050 mm)
<b>Lift adjustment</b>	via the release knob using a 3 mm Allen key
<b>Lengths in stock</b>	335, 460, 585, 710, 835, 960, 1085, 1210, 1335, 1460 mm



**more  
air passage**

Technical specifications	Planet <b>MinE-F/V</b>
<b>Sound protection</b>	up to 23 dB at an air gap of 7 mm
<b>Air passage</b>	40 m <sup>3</sup> /h at a pressure difference of 3,9 Pa (door width 1050 mm)
<b>Lift adjustment</b>	via the release knob using a 3 mm Allen key
<b>Lengths in stock</b>	335, 460, 585, 710, 835, 960, 1085, 1210, 1335, 1460 mm

Technical specifications	Planet <b>MinE-V</b>
<b>Sound protection</b>	up to 23 dB at an air gap of 7 mm
<b>Air passage</b>	40 m <sup>3</sup> /h at a pressure difference of 3,9 Pa (door width 1050 mm)
<b>Lift adjustment</b>	via the release knob using a 3 mm Allen key
<b>Lengths in stock</b>	335, 460, 585, 710, 835, 960, 1085, 1210, 1335, 1460 mm

The ASSA ABLOY Group is the global leader in access solutions. Every day we help people to feel safer and more secure and to experience a more open world.

**ASSA ABLOY**  
Opening Solutions

ASSA ABLOY (Schweiz) AG  
Drop-down seals & finger protection  
Untere Schwandenstrasse 22  
CH-8805 Richterswil  
Phone +41 43 266 22 22  
[www.planet.ag](http://www.planet.ag)

We reserve our right for technical modifications. 200 / 06.2022 / 902280EN