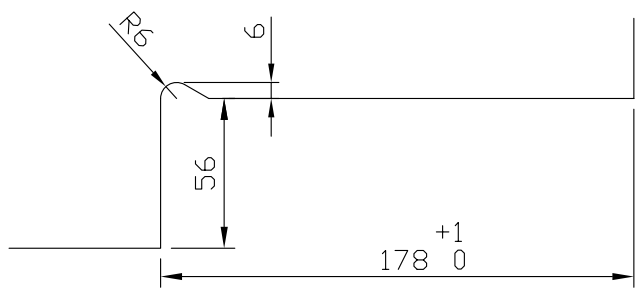
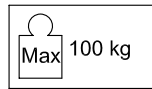
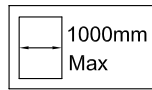
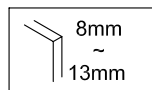
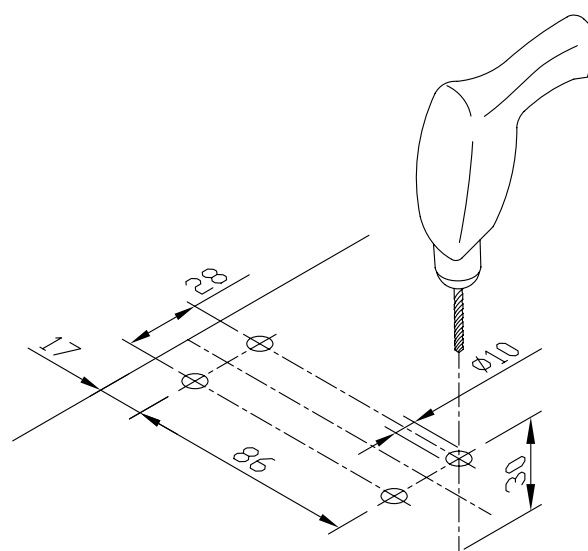


Glass Cutout



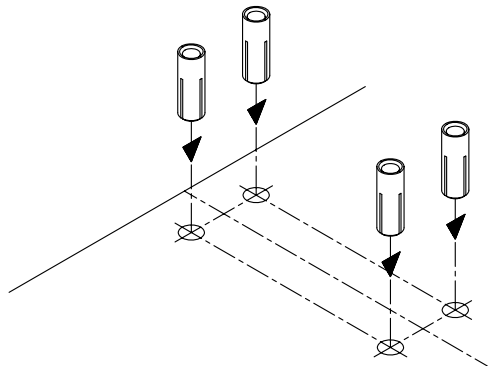
1

Unit : mm

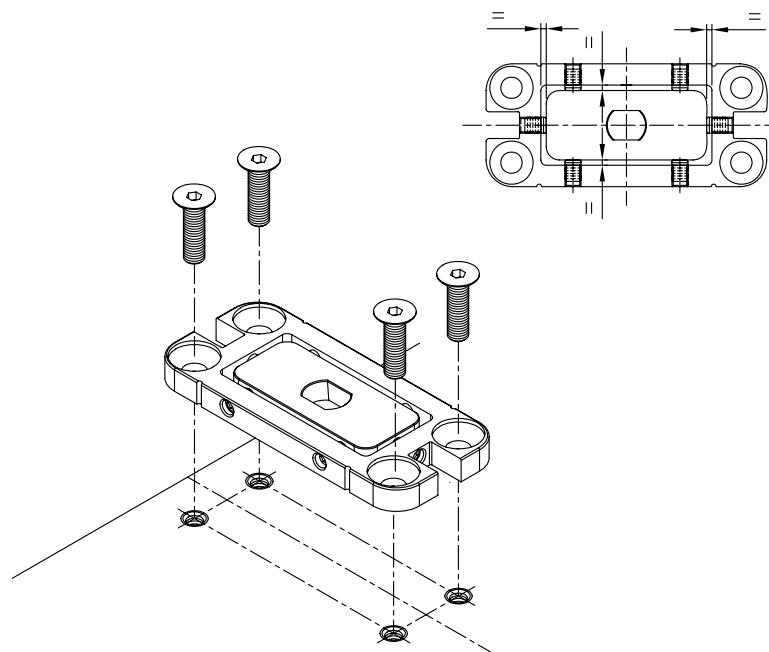


2

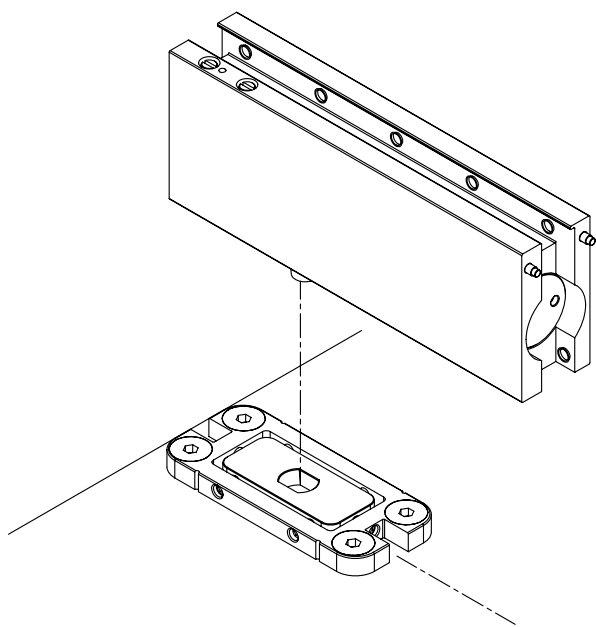
Unit : mm



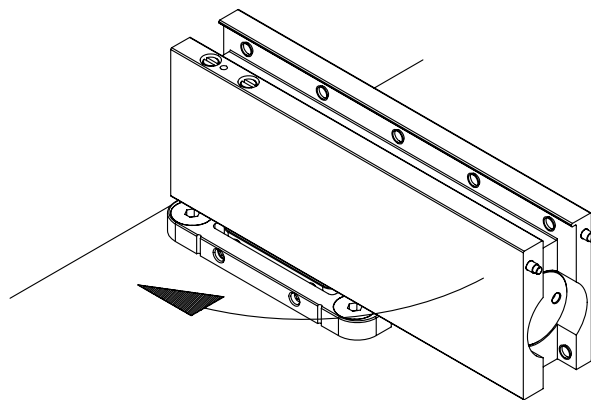
3



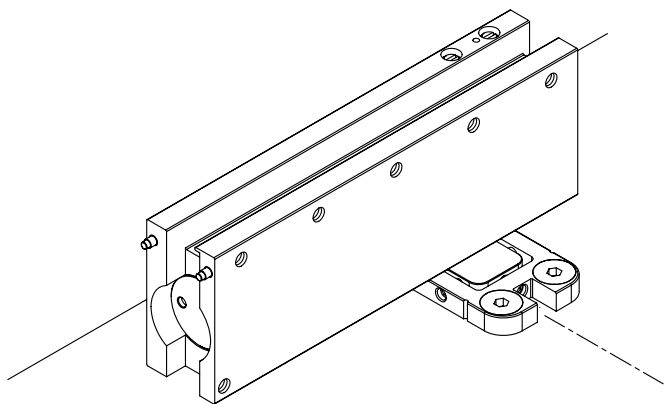
4



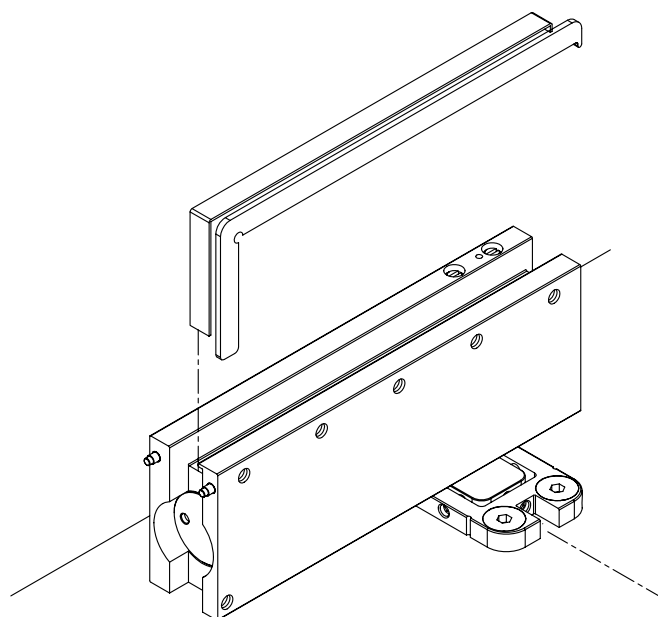
5



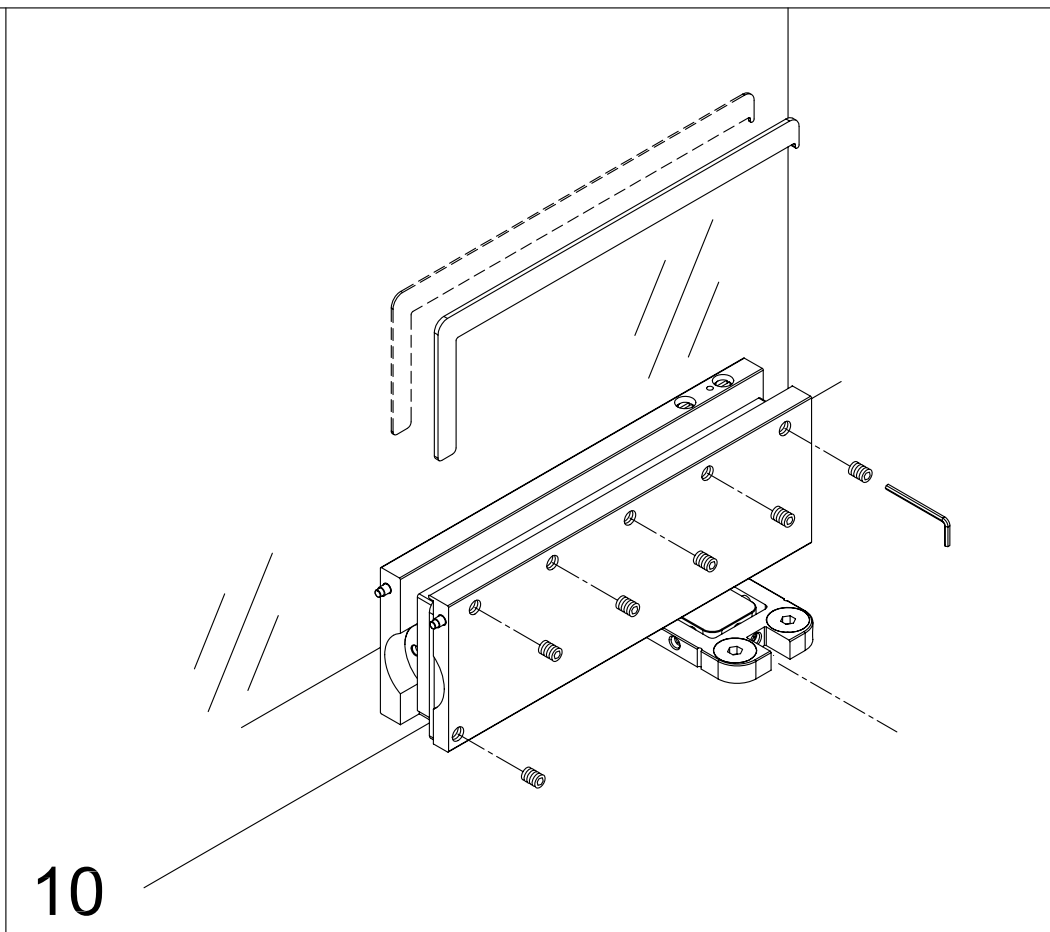
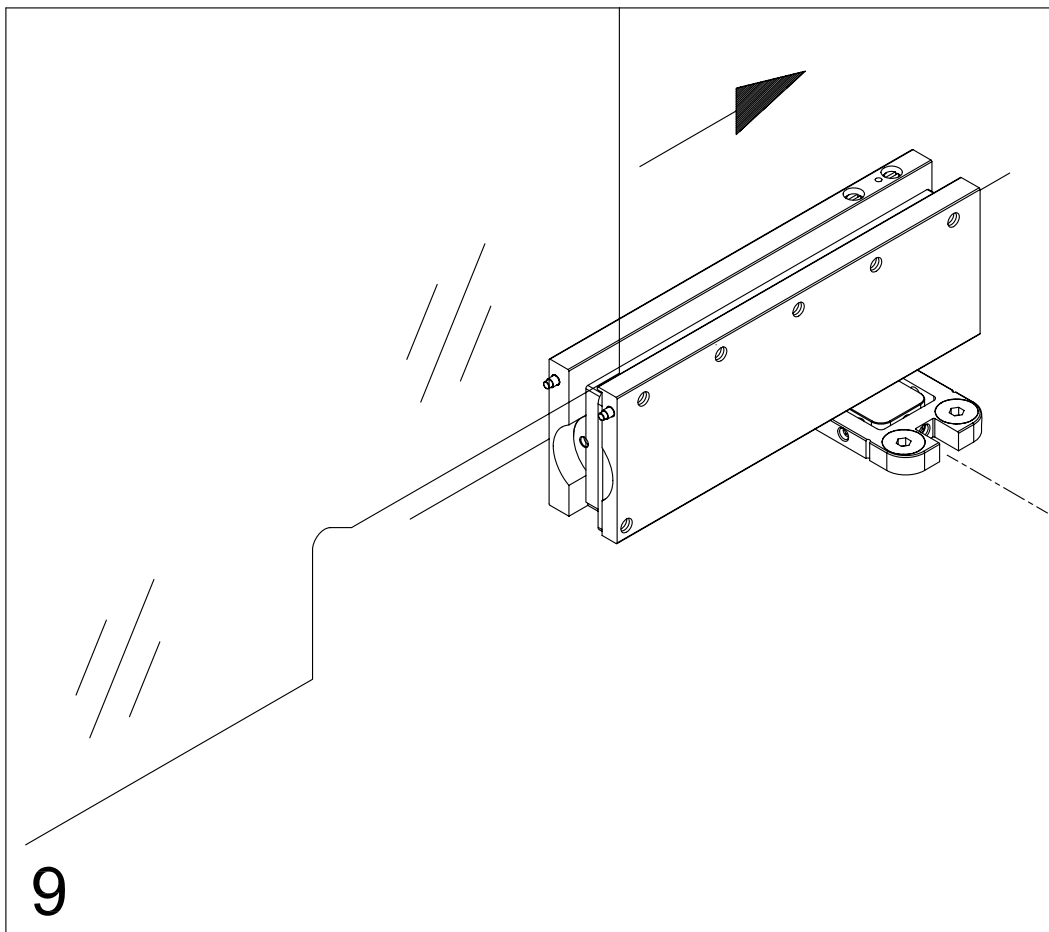
6



7



8



Adjust the Door position

